

For Residential and Commercial Applications

Job Name		Engineer / Architect	
Job Location		Wholesaler	
Submittal Date		Contractor	

MAU2 Male Gas Adapter - 15/16-16 Flare x Male Iron Pipe

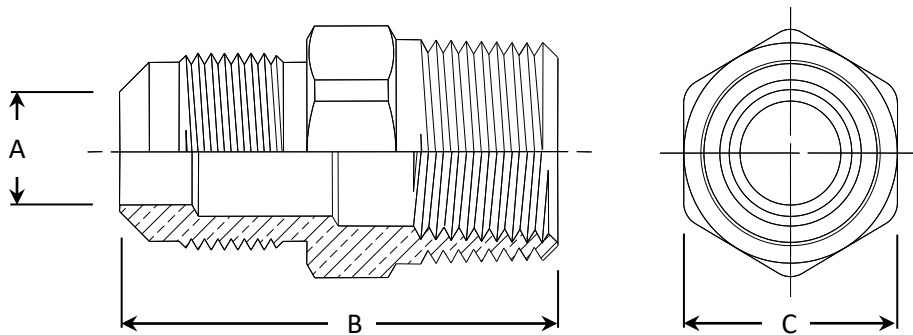
Use: For use with natural, manufactured, mixed, liquefied petroleum gases, and LP gas-air mixtures.

Operating Specifications:

Temperature: -40° - 150° F
Pressure: 1/2 PSI maximum

FITTING MATERIAL SPECIFICATIONS	
Brass Body	Brass
Steel Body	Steel, plated

PART DIMENSIONS (Inches)			
Model	DIA. A	DIM. B	DIM. C
MAU2-10-12	0.50	2.06	1-1/16
MAU2-10-8	0.50	2.00	15/16



Part Listing:

- MAU2-10-12 5/8" OD flare (15/16-16 thread) x 3/4" MIP (1/2" FIP tapped), brass
- MAU2-10-12 5/8" OD flare (15/16-16 thread) x 3/4" MIP (1/2" FIP tapped), brass, bulk
- MAU2-10-12 K5 5/8" OD flare (15/16-16 thread) x 3/4" MIP (1/2" FIP tapped), brass, 5 per bag
- MAU2-10-12S 5/8" OD flare (15/16-16 thread) x 3/4" MIP (1/2" FIP tapped), steel
- MAU2-10-8 5/8" OD flare (15/16-16 thread) x 1/2" MIP, brass
- MAU2-10-8 B 5/8" OD flare (15/16-16 thread) x 1/2" MIP, brass, bulk
- MAU2-10-8 K5 5/8" OD flare (15/16-16 thread) x 1/2" MIP, brass, 5 per bag
- MAU2-10-8S 5/8" OD flare (15/16-16 thread) x 1/2" MIP, steel
- MAU2-10-8S B 5/8" OD flare (15/16-16 thread) x 1/2" MIP, steel, bulk

- For use with CSA listed ANSI Z21.24 / CSA 6.10 connectors

This specification and all information contained herein is the confidential and exclusive property of Brasscraft Manufacturing Company, and shall not be disclosed to others without the written consent of Brasscraft Mfg. Co. This specification must be returned to Brasscraft Mfg. Co. if requested.



- For use with CSA listed ANSI Z21.75 / CSA 6.27 connectors