

TSP920R SPECIFICATIONS

pure·2/opus·2 thermostatic tub/shower valve trim with diverter

FEATURES:

- Thermostatic mixer, round trim with 2-way diverter & lever handles
- 2 ports, 2 functions: port 1 & port 2 are only operated individually
- Durable, solid brass construction, ABS trim plate
- Screwless, 1/4" thin profile trim
- Anti-scald safety stop, preset to 100°F / 38°C
- Set and maintain precise desired temperature
- Requires TS920 1/2" thermostatic rough-in valve



SPECIFICATIONS:

| | |
|----------------------|--------------------------------------------------------------------------------------------|
| Warranty: | Limited lifetime warranty (residential) One year warranty (commercial) |
| Material: | Brass construction |
| Flow rate: | 6.5 gpm @ 60 PSI (mixed hot + cold) (output will vary depending on device in operation) |
| Shipping weight: | 2 lbs (1 kgs) |
| Shipping dimensions: | (LWH) 11 1/4" x 8 3/4" x 4 1/2" (285mm x 220mm x 115mm)* |
| FINISH: | Polished chrome |

REQUIRES:

- TS920 1/2" thermostatic rough-in valve (sold separately)

ACCESSORIES (sold separately):

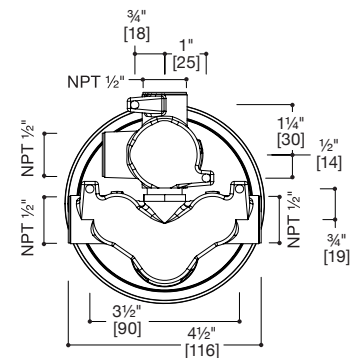
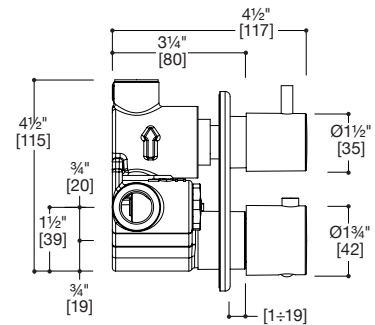
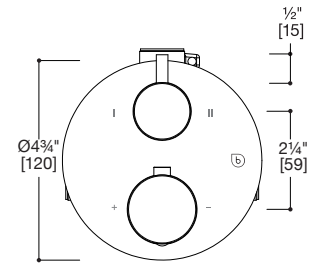
- Extension kits available for deep in-wall installation, PT4501 for thermostatic handle + PT4502 for volume control/diverter handle

INSTALLATION:

Install this product according to the installation guide. Our products must be installed by certified professionals only and according to our installation guide as well as federal, provincial/state and local building codes and regulations.

CODES / STANDARDS APPLICABLE:

- Meets or exceeds ANSI / ASME standard A112.18.1 and CAN / CSA B125.1-05 requirements
- Listed with IAPMO bearing the UPC / cUPC mark
- Calgreen compliant
- ADA compliant



*Approximate measurements for comparison only.
Note: These dimensions and specifications are subject to change without notice.