

TSP421 SPECIFICATIONS

pure·2 deck-mounted thermostatic bath mixer with handshower

FEATURES:

- Four-hole deck-mounted thermostatic bath mixer with round wand handshower & flexible hose
- Durable finish and sleek design
- Brass valve body
- 8¾" spout projection with customized laminar flow
- Ceramic disk valve cartridge for drip-free performance
- Includes flexhose water supply lines
- Non-swivel spout



SPECIFICATIONS:

Warranty:	Limited lifetime warranty (residential) One year warranty (commercial)
Connection:	¾" NPT
Material:	Brass body
Flow rate:	12.0 gpm @ 80 PSI
Handshower Flow rate:	1.8 gpm @ 80 PSI

FINISHES:

Polished chrome

INSTALLATION:

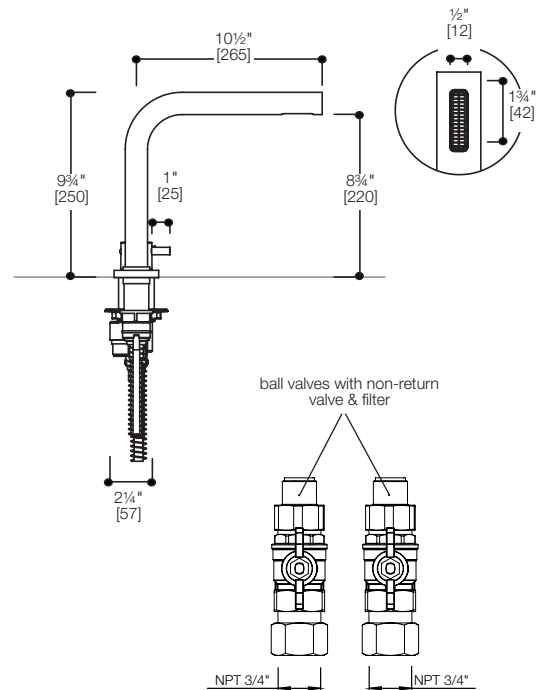
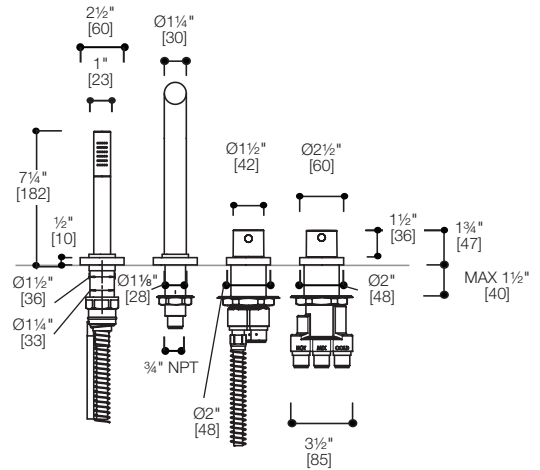
Install this product according to the installation guide. Our products must be installed by certified professionals only and according to our installation guide as well as federal, provincial/state and local building codes and regulations.

CARE AND MAINTENANCE:

See Installation Manual

CODES / STANDARDS APPLICABLE:

- Meets or exceeds ANSI / ASME standard A112.18.1 and CAN / CSA B125.1-05 requirements
- Listed with IAPMO bearing the UPC / cUPC mark
- AB1953 lead-free compliant
- Calgreen compliant



*Approximate measurements for comparison only.
Note: These dimensions and specifications are subject to change without notice.