

TSP131 SPECIFICATIONS

pure•2 deck-mounted basin mixer

FEATURES:

- Two-hole deck-mounted basin mixer with single lever handle
- Durable finish and sleek design
- Brass valve body
- 6½" spout projection with Neoperl laminar flow aerator
- Ceramic disk valve cartridge for drip-free performance
- Includes NPT flexhose water supply
- Less drain

SPECIFICATIONS:

Warranty:	Limited lifetime warranty (residential) One year warranty (commercial)
Connection:	¾" comp
Material:	Brass body
Flow rate:	1.2 gpm @ 60 PSI
Weight:	6 lbs (3 kg)*
Shipping dimensions:	(LWH) 18" x 12" x 5" (460mm x 310mm x 120mm)*

FINISHES:

Polished chrome

ACCESSORIES (sold separately):

Recommend TW120 or TW121 push button waste

INSTALLATION:

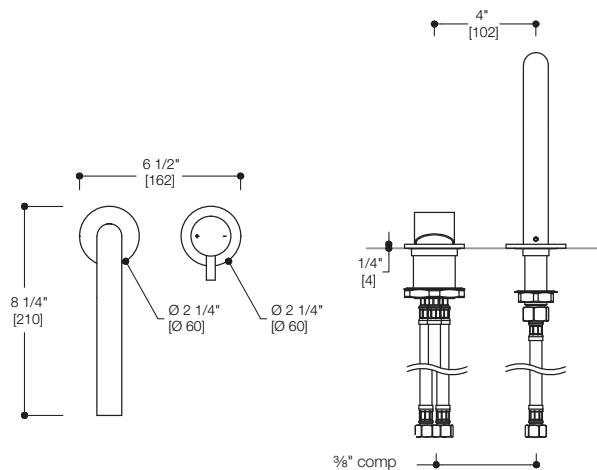
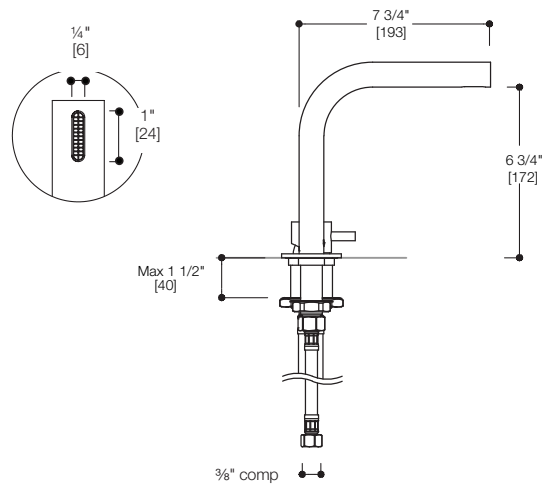
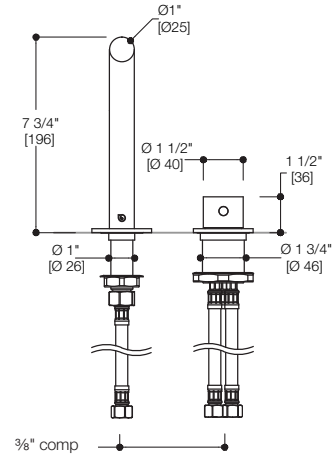
Install this product according to the installation guide. Our products must be installed by certified professionals only and according to our installation guide as well as federal, provincial/state and local building codes and regulations.

CARE AND MAINTENANCE

See Installation Manual

CODES / STANDARDS APPLICABLE:

- Meets or exceeds ANSI / ASME standard A112.18.1 and CAN / CSA B125.1-05 requirements
- Listed with IAPMO bearing the UPC / cUPC mark
- ADA compliant
- California AB1953 compliant
- Calgreen compliant



*Approximate measurements for comparison only. Note: These dimensions and specifications are subject to change without notice.