

TOX611 SPECIFICATIONS

INOX single-lever bidet spout

FEATURES:

- Single-hole bidet spout
- 5¼" spout projection
- Durable finish and sleek design
- Stainless steel AISI 304
- Less drain

SPECIFICATIONS:

| | |
|----------------------|---|
| Warranty: | Limited lifetime warranty (residential) One year warranty (commercial) |
| Connection: | ¾" comp |
| Material: | Stainless steel AISI 304 |
| Flow rate: | 1.2 gpm @ 60 PSI |
| Cartridge type: | Ceramic cartridge S.T.S.R Italy |
| Shipping weight: | 2.4 lbs (1.12 kg)* |
| Shipping dimensions: | (LWH) 11¼" x 22½" x 2¾" (285mm x 570mm x 72mm)* |

FINISH:

- Satin (-S)

INSTALLATION:

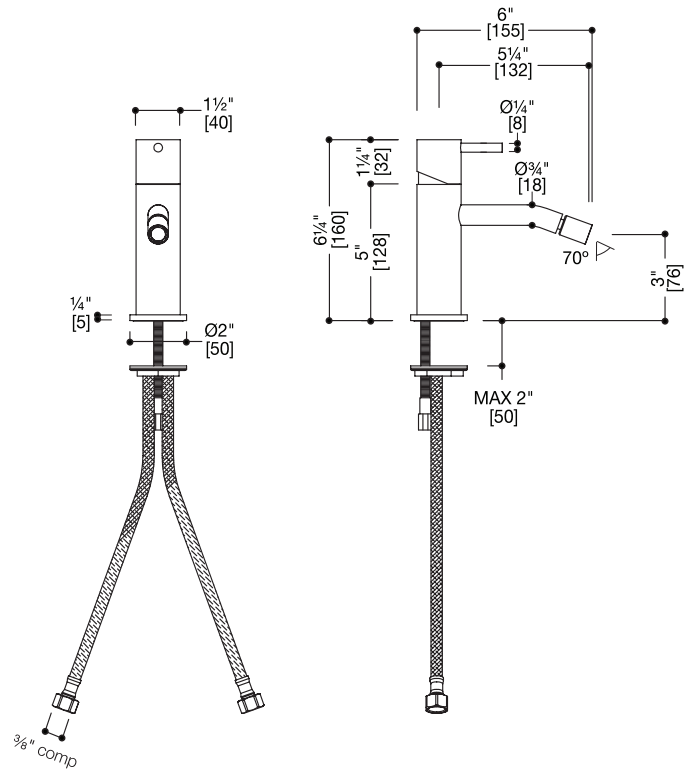
Install this product according to the installation guide. Our products must be installed by certified professionals only and according to our installation guide as well as federal, provincial/state and local building codes and regulations.

CARE AND MAINTENANCE:

See Installation Manual

CODES / STANDARDS APPLICABLE:

- Meets or exceeds ANSI / ASME standard A112.18.1 and CAN / CSA B125.1-05 requirements
- Listed with IAPMO bearing the UPC / cUPC mark
- ADA compliant



*Approximate measurements for comparison only.
Note: These dimensions and specifications are subject to change without notice.