

# TH100 SPECIFICATIONS

## smooth shower hose

### FEATURES:

- 42" Neoperl smooth shower hose with a conical swivel connection at one end
- Metallic chrome look, easy to clean surface
- Includes check valve

### SPECIFICATIONS:

Warranty: One Year Limited Warranty (Residential)  
One Year Limited Warranty (Commercial)

Connection: G 1/2"

### FINISHES:

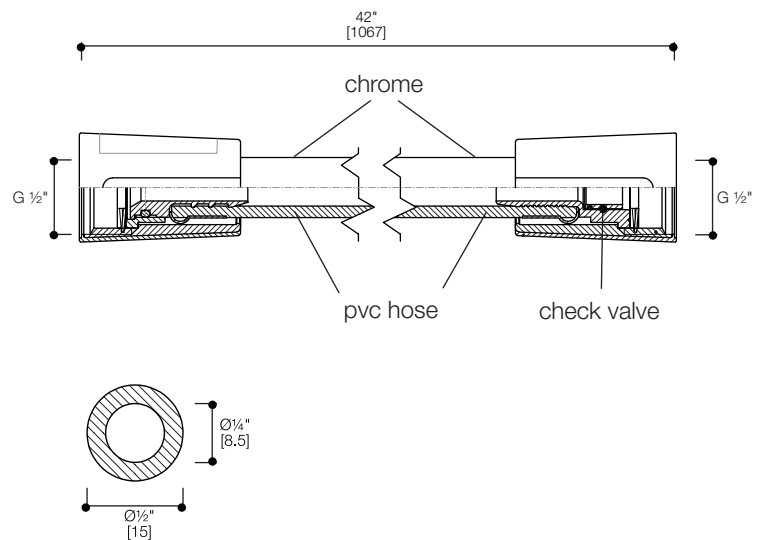
Metallic chrome look

### INSTALLATION:

Install this product according to the installation guide. Our products must be installed by certified professionals only and according to our installation guide as well as federal, provincial / state and local building codes and regulations.

### CODES / STANDARDS APPLICABLE:

- Meets or exceeds ANSI / ASME standard A112.18.1 and CAN / CSA B125.1-12 requirements



\*Approximate measurements for comparison only.  
Note: These dimensions and specifications are subject to change without notice.