

# TEE300 SPECIFICATIONS

## electronica vision wheel three-outlet thermostatic shower control

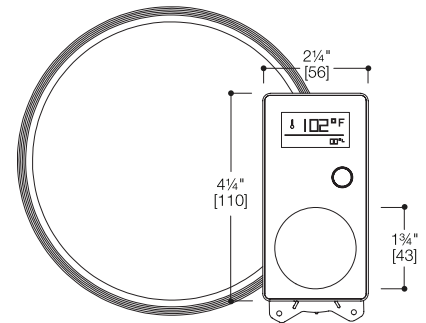
### FEATURES:

- Wall-mount thermostatic digital shower control
- Touch control allows for easy on/off, with LED-light ring visual temperature indicator & easy menu navigation
- Three individualized presets that allow for quick access to desired temperatures
- Additional functions like maximum running time, maximum temperature, diagnosis, Hygiene function and many more can be programmed via a protected input area
- Super sleek interface with high quality brass control wheel in polished chrome finish & glass fascia with LCD screen
- Designed for sustainability, the integrated GREENDICATOR® displays actual water usage & current temperature reading
- Compatible with optional WLAN module (TEE005) to control shower flow + temperature via iPhone or iPad App using existing WiFi network



### SPECIFICATIONS:

Dimensions:	(WHD) 2¼" x 4¼" x ½" (56mm x 110mm x 10mm)
Warranty:	Five year electronic part warranty (residential) One year warranty (commercial)
Material/Finish:	polished chrome/gorillaglass
Flow rate:	8 gpm @ 60 PSI (output will vary depending on device in operation)
Power Input:	100~240V AC / 50~60 Hz
Distance from control mixer:	19½ ft (6m) MAX
Weight:	4.5lbs (2kg)

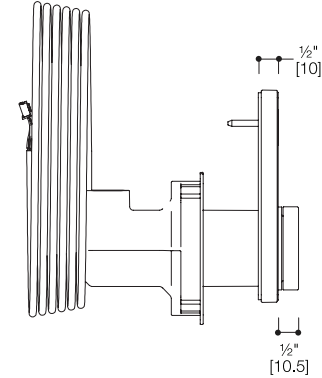


### FINISHES:



- Black gloss fascia (TEE300-B)
- White gloss fascia (TEE300-W)

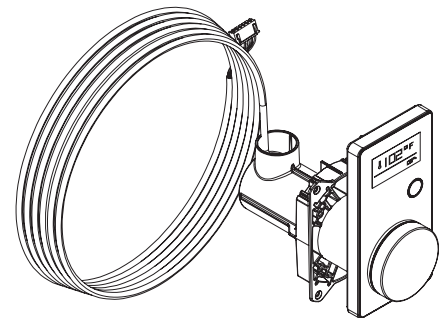
### FUNCTIONS

- Diverter selection between multiple water outlets
- User lock disabling the unit for 60 sec
- Timeout automatic shutoff after 60 min
- Safety stop. Slower temperature increase after 40° C
- Diagnostic checking DUO-3 control mixer with error indicator
- Resetting to factory settings
- Choose between °C/°F temperature setting
- Greendicator shows actual water consumption



### FOR PURCHASE SEPARATELY:

-  \*Required DUO-3 control mixer TEE030SV (specs attached)
-  \*Optional WLAN Module TEE005 for WiFi control



\*Approximate measurements for comparison only.  
Note: These dimensions and specifications are subject to change without notice.

# TEE300 SPECIFICATIONS

## electronica vision wheel three-outlet thermostatic shower control

### INSTALLATION

Install this product according to the installation guide. Our products must be installed by certified professionals only and according to our installation guide as well as federal, provincial/state and local building codes and regulations.

Any electrical installation work must only be performed by a qualified electrician.

### SAFETY NOTES:

- Prevent danger resulting from damaged power supply cables. In the case of damage, the power supply cable must be replaced by the manufacturer or his customer service department or an equally qualified person.
- Installation is only possible in frost-free rooms. The optional power supply unit is only suitable for indoor use.
- The plug-in connectors must not be directly or indirectly sprayed with water when cleaning.
- The voltage supply must be separately switchable.
- The maximum permissible distance between the electronic controller and the functional unit is 19½ feet (6m).
- If the static pressure exceeds (72.5 PSI), a pressure reducing valve must be fitted.

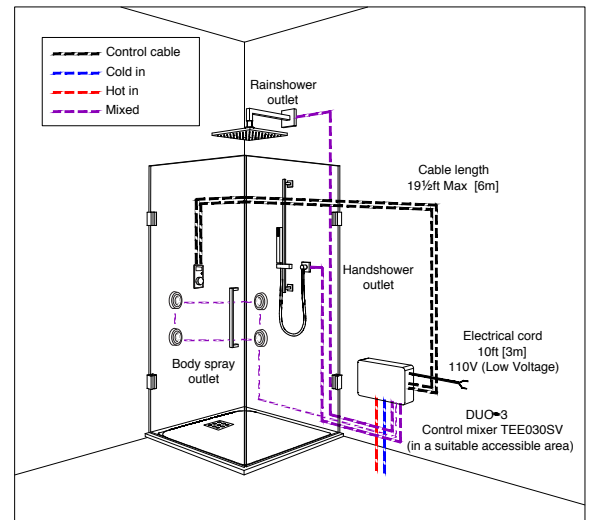
### CARE AND MAINTENANCE

See Installation Manual

### CODES / STANDARDS APPLICABLE:

- Meets or exceeds ANSI / ASME standard A112.18.1 and CAN / CSA B125.1-05 requirements
- Listed with IAPMO bearing the UPC / cUPC mark
- Calgreen compliant
- AB1953 compliant

### QUICK-REF WALL-MOUNT INSTALLATION:



AB1953 *CALGreen*

\*Approximate measurements for comparison only.  
Note: These dimensions and specifications are subject to change without notice.

**blu**  
BATHWORKS®

2016-06

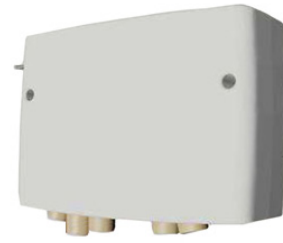
1 866 907 0122 blubathworks.com

# TEE030SV SPECIFICATIONS

## DUO·3 electronica three outlet thermostatic shower control mixer for vision wheel

### FEATURES:

- Three outlet thermostatic shower control mixer
- Easy installation, template provided and only two screws required
- Internal back-up rechargeable battery included, providing continuous usage during temporary power outages
- Fail-safe design with multiple back-up microprocessors
- Includes Flühs ceramic valves with redundant shut-offs for leak protection and long lasting reliability
- Safety stop provides scald protection 120°F/50°C
- Flow sensor displays user's water consumption on the vision wheel interface
- Quick-connect adaptors provide easy rough plumbing installation & removal
- Compatible with optional WLAN module (TEE005) to control shower with iPhone or iPad using existing wifi network



### SPECIFICATIONS:

Dimensions: 10¼" W x 7" H x 3" D  
 Recommended: 14.5-72.5 PSI (1-5 bar)

### Water Supply:

Operating pressure max: 145 PSI (10 bar)  
 Test Pressure: 232 PSI (16 bar)  
 Difference of input pressure: < 14.5 PSI (1 bar)

Flow rate: 8.0 gpm @ 60 PSI

Cartridge type: Flühs ceramic

### Connections:

Inlet: 2x ½" NPT male thread  
 Outlet: 3x ½" NPT male thread

### Temperatures:

Operating environment: 39-104°F / 4-40°C  
 Relative humidity: max. 95% (non-condensing)

### Electricity:

Line voltage: 100-240V AC / 50~60 Hz  
 Frequency: 50/60Hz  
 Power: stand by: <1W  
 max: <45W/0.375 Amp

### Warranty:

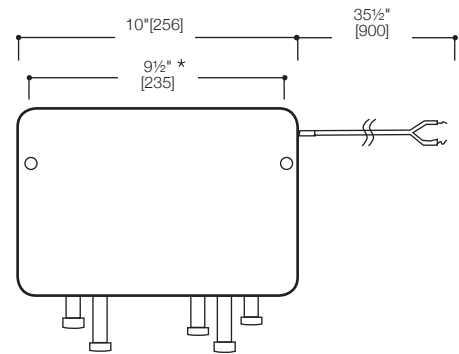
Five year electronic part warranty (residential)  
 (warranty does not cover the life of the battery)  
 One year warranty (commercial)

### Weight:

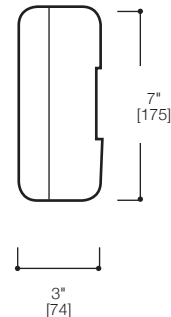
7lbs (3.3kg)

### Shipping dimensions:

(WHD) 15¾" x 11¾" x 3½"  
 (400mm x 300mm x 90mm)



\* mounting holes



### INSTALLATION:

Control mixer to be plugged into a direct power source. Installation must allow for future access to control mixer for maintenance purposes. This work must be carried out in accordance with the regulations IEC 364-7-701-1984 (corresponding to VDE 0100 Part 701) as well as all national local regulations.

**Any electrical installation work must only be performed by a qualified electrician.**

\*Approximate measurements for comparison only.  
 Note: These dimensions and specifications are subject to change without notice.

# TEE030SV SPECIFICATIONS

## DUO·3 electronica three outlet thermostatic shower control mixer for vision wheel

### SAFETY NOTES:

- Prevent danger resulting from damaged power supply cables. In the case of damage, the power supply cable must be replaced by a qualified person.
- Two-prong plug must be hardwired into a standard direct power source.
- Installation is only possible in frost-free rooms. The optional power supply unit is only suitable for indoor use. This product is not waterproof, however, the design incorporates a channel to allow for removal of condensation.
- The plug-in connectors must not be directly or indirectly sprayed with water when cleaning.
- The voltage supply must be separately switchable.
- The maximum permissible distance between the electronic controller and the functional unit is 19½ feet (6m).
- If the static pressure exceeds (72.5 PSI), a pressure reducing valve must be fitted.
- Installer must ensure the control mixer is positioned in the correct manner according to installation guide.

### APPROVAL & CONFORMITY:

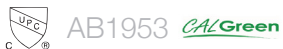
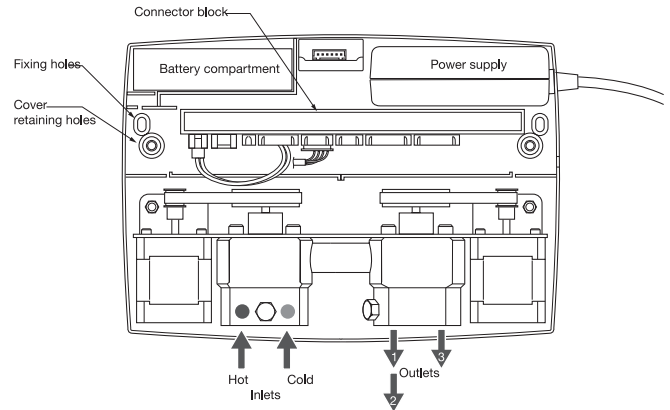
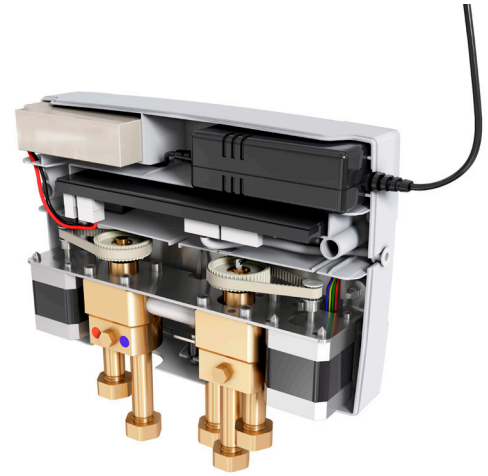
This device complies with part 15 of the FCC Rules (USA) and with the RSS of the IC Rules (Canada).

Operation is subject to the following two conditions:

This device may not cause harmful interference, and this device must accept any interference received, including interference that may cause undesired operation. Changes or modifications not expressly approved by the party responsible for compliance may void the user's authority to operate the equipment.

### CODES / STANDARDS APPLICABLE:

- Meets or exceeds ANSI / ASME standard A112.18.1 and CAN / CSA B125.1-05 requirements
- IAPMO/ UPC / cUPC
- AB1953 compliant
- Calgreen compliant



\*Approximate measurements for comparison only.  
Note: These dimensions and specifications are subject to change without notice.