

TB206 SPECIFICATIONS

in-wall body jet, round trim

FEATURES:

- Clean, elegant recessed design
- Durable, polished chrome finish
- 5" diameter, round trim
- 20° adjustable spray

SPECIFICATIONS:

Warranty:	Lifetime Limited Warranty (Residential) One Year Warranty (Commercial)
Material:	ABS
Spray Nozzles:	20
Flow Rate:	1.0 gpm @ 80 PSI
Connection:	1/2" NPT
Shipping Weight:	1.6lbs (0.74kg)
Shipping dimensions:	1 1/4" x 6 1/4" x 3 1/2" (300mm x 160mm x 90mm)

FINISHES:

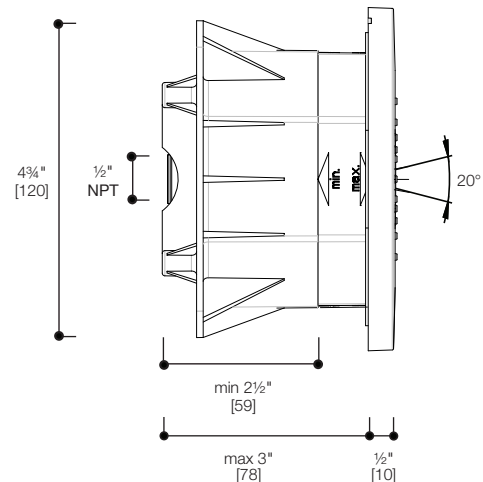
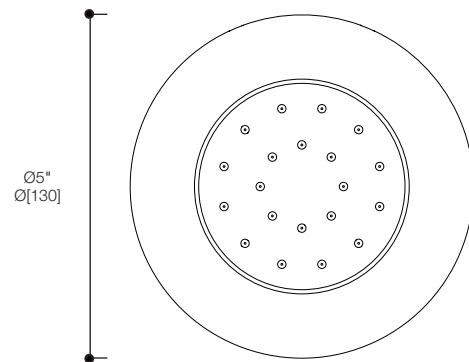
Polished chrome

INSTALLATION:

Install this product according to the installation guide. Our products must be installed by certified professionals only and according to our installation guide as well as federal, provincial / state and local building codes and regulations.

CODES / STANDARDS APPLICABLE:

- Meets or exceeds ANSI / ASME standard A112.18.1 and CAN / CSA B125.1-05 requirements
- ASME A112.19.2
- IAPMO / UPC / cUPC
- Calgreen compliant



CALGreen

*Approximate measurements for comparison only.
Note: These dimensions and specifications are subject to change without notice.