

# TB200 SPECIFICATIONS

in-wall body jet, square trim

## FEATURES:

- Clean, elegant recessed design
- Durable, polished chrome finish
- 5" diameter, square trim
- 20° adjustable spray

## SPECIFICATIONS:

Warranty:	Lifetime Limited Warranty (Residential) One Year Warranty (Commercial)
Material:	ABS
Spray Nozzles:	20
Flow Rate:	1.0 gpm @ 80 PSI
Connection:	½" NPT
Shipping Weight:	1.6lbs (0.74kg)
Shipping dimensions:	11¾" x 6¼" x 3½" (300mm x 160mm x 90mm)

## FINISHES:

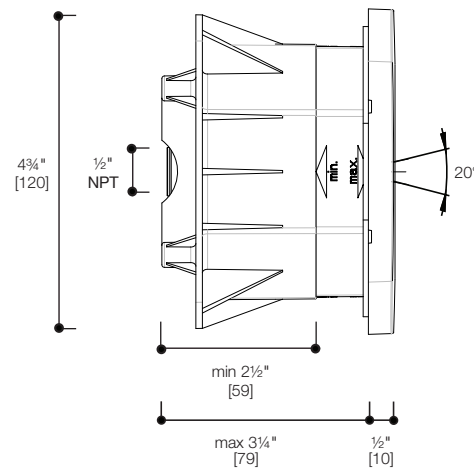
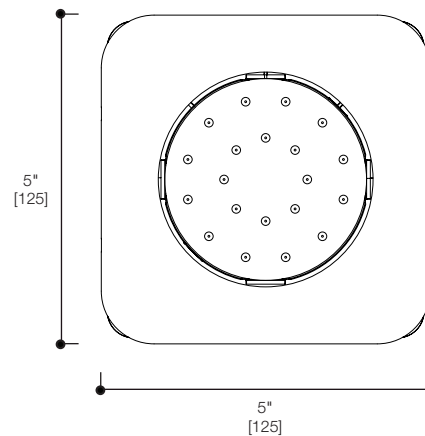
Polished chrome

## INSTALLATION:

Install this product according to the installation guide. Our products must be installed by certified professionals only and according to our installation guide as well as federal, provincial / state and local building codes and regulations.

## CODES / STANDARDS APPLICABLE:

- Meets or exceeds ANSI / ASME standard  
A112.18.1 and CAN / CSA B125.1-05 requirements
- ASME A112.19.2
- IAPMO / UPC / cUPC
- Calgreen compliant



\*Approximate measurements for comparison only.  
Note: These dimensions and specifications are subject to change without notice.