

TA150R SPECIFICATIONS

ceiling-mount shower arm

FEATURES:

- Clean, elegant design
- Solid brass arm
- 6" projection from ceiling
- 1 1/4" arm diameter, 4" round trim
- Coordinating round shower heads available to compliment the pure·2 series

SPECIFICATIONS:

Warranty:	Lifetime Limited Warranty (Residential) One Year Warranty (Commercial)
Material:	Brass
Connection:	1/2" NPT connection
Shipping Weight:	1.6lbs (0.72kg)
Shipping dimensions:	10 1/4" x 9 3/4" x 3 3/4" (259mm x 247mm x 97mm)

FINISHES:

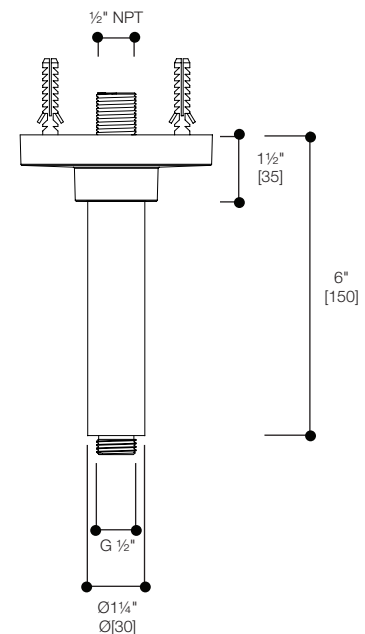
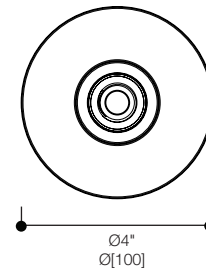
- Polished Chrome
- Satin (-S)

INSTALLATION:

Install this product according to the installation guide. Our products must be installed by certified professionals only and according to our installation guide as well as federal, provincial / state and local building codes and regulations.

CODES / STANDARDS APPLICABLE:

- Meets or exceeds ANSI / ASME standard
A112.18.1 and CAN / CSA B125.1-05 requirements
- ASME A112.19.2
- IAPMO / UPC / cUPC



*Approximate measurements for comparison only.
Note: These dimensions and specifications are subject to change without notice.