

# SA0506 SPECIFICATIONS

## halo blu-stone™ freestanding pedestal basin

### FEATURES:

- Round freestanding pedestal basin with 1½" kick
- Modern freestanding design with integral slot overflow & matching blu-stone™ waste cover
- Made of blu-stone™ providing the look and feel of natural stone
- Stronger and more durable than ceramic
- Non-porous, stain resistant surface that does not require sealing
- Does not promote bacteria, mold or fungi

### SPECIFICATIONS:

Drain hole:	Ø1¾" (45mm)*
Size:	19¼" DIA x 31½" H (489mm x 800mm)*
Height:	31½" (800mm)
Warranty:	Five Year Warranty (Residential use) One Year Warranty (Commercial use)
Material:	blu-stone™
Shipping Weight:	103.6lbs (47kg)
Shipping Dimensions:	(LWH) 21¼" x 21¼" x 33½" (540mm x 540mm x 850mm)

### COLORS / FINISHES:

White matte as standard  
Gloss finish & colors available (Tier 1/ Custom items)

### ACCESSORIES:

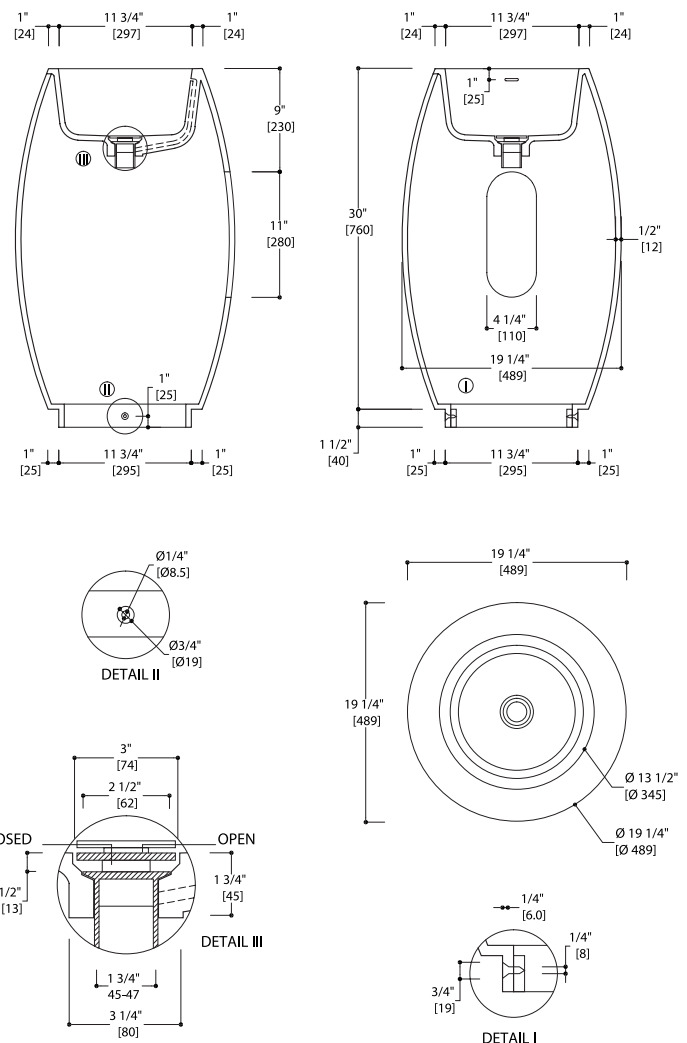
Recommend TW121 or TW121-S push button waste (sold separately)  
blu-stone™ waste cover included

### INSTALLATION NOTES:

Install this product according to the installation guide.  
Our products must be installed by certified professionals only and according to our installation guide as well as federal, provincial / state and local building codes and regulations.  
Product has an overflow. Spout must provide a minimum of 7" reach for adequate clearance into basin.

### CODES / STANDARDS APPLICABLE:

- ADA
- ASME A112.19.2
- IAPMO / cUPC
- ICC / ANSI A117.1
- CSA B 45
- Fixture dimensions and hydraulic performance meet or exceed ANSI / ASME standard A112.19.2, A112.19.9M and CAN / CSA B 45 requirements.



\*Approximate measurements for comparison only.  
**Note:** These dimensions and specifications are subject to change without notice.

