

# SA0505N44 SPECIFICATIONS

## coco blu-stone™ freestanding basin

### FEATURES:

- Cylindrical freestanding pedestal basin without overflow
- Made of blu-stone™ providing the look and feel of natural stone
- Matching blu-stone™ waste cover included
- Stronger and more durable than ceramic
- Non-porous, stain resistant surface that does not require sealing
- Does not promote bacteria, mold or fungi

### SPECIFICATIONS:

Drain hole:	Ø1¾" (Ø46mm)*
Size:	17¼" DIA (440mm)*
Height:	34¼" (870mm)
Weight:	90lbs (41kg)*
Warranty:	Five Year Warranty (Residential use) One Year Warranty (Commercial use)
Material:	blu-stone™
Shipping Weight:	99lbs (45kg)
Shipping Dimensions:	(LWH) 22¼" x 22¼" x 39" (565mm x 565mm x 990mm)*

### COLOR / FINISHES:

White matte or gloss as standard

### ACCESSORIES (sold separately):

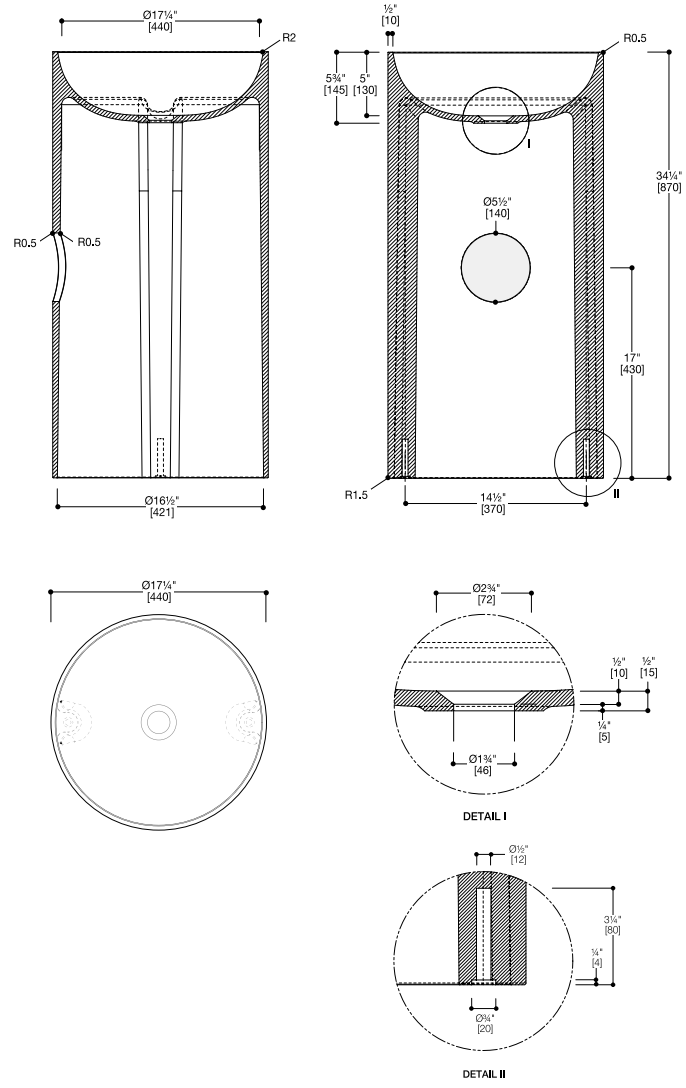
- Recommend TW120 or TW120-S push button waste

### INSTALLATION NOTES:

Install this product according to the installation guide.  
Our products must be installed by certified professionals only and according to our installation guide as well as federal, provincial / state and local building codes and regulations.

### CODES / STANDARDS APPLICABLE:

- ASME A112.19.2
- IAPMO / cUPC
- ICC / ANSI A117.1
- CSA B 45
- Fixture dimensions and hydraulic performance meet or exceed ANSI / ASME standard A112.19.2, A112.19.9M and CAN / CSA B 45 requirements.



\*Approximate measurements for comparison only.  
**Note:** These dimensions and specifications are subject to change without notice.