

# SA0209N37 SPECIFICATIONS

## metrix blu-stone™ countertop basin

### FEATURES:

- Above-the-counter modern design without overflow
- Made of blu-stone™ providing the look and feel of natural stone
- Matching blu-stone™ waste cover included
- Stronger and more durable than ceramic
- Non-porous, stain resistant surface that does not require sealing
- Does not promote bacteria, mold or fungi

### SPECIFICATIONS:

Drain hole:	Ø1¾" (Ø46mm)*
Size:	14½" x 14½" (370mm x 370mm)*
Height:	5" (130mm)*
Weight:	14lbs (6.4kg)*
Warranty:	Five Year Warranty (Residential use) One Year Warranty (Commercial use)
Material:	blu-stone™
Shipping Weight:	16.5lbs (7.5kg)
Shipping Dimensions:	(LWH) 18" x 18" x 8½" (460mm x 460mm x 215mm)*

### COLOR / FINISHES:

White matte or gloss as standard

### ACCESSORIES (sold separately):

- Recommend TW120 or TW120-S push button waste

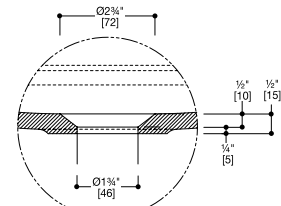
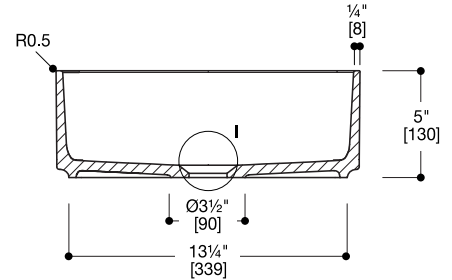
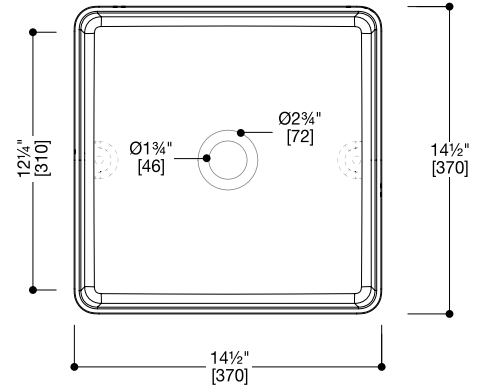
### INSTALLATION NOTES:

Install this product according to the installation guide.  
Our products must be installed by certified professionals only and according to our installation guide as well as federal, provincial / state and local building codes and regulations.

### CODES / STANDARDS APPLICABLE:

- ASME A112.19.2
- IAPMO / cUPC
- ICC / ANSI A117.1
- CSA B 45
- Fixture dimensions and hydraulic performance meet or exceed

ANSI / ASME standard A112.19.2, A112.19.9M and CAN / CSA B 45 requirements.



DETAIL I



\*Approximate measurements for comparison only.

**Note:** These dimensions and specifications are subject to change without notice.