

F51V1-1200 SPECIFICATIONS

51 collection series 1200 wall-mount vanity

FEATURES:

- Wall-mounted vanity with deep drawer + slim drawer insert
- Slim inner drawer designed for plumbing clearance
- Solid rust-free painted powder frame construction and drawer runners
- Hettich push/pull drawer opening system
- One continuous bracket along the backside for ease of installation: allows for easy retro-fitting/hitting studs where backing or additional support is not available
- Wall mount design opens space and facilitates easy cleaning
- Made of IDROLEB ECOLOGICAL PANEL with the lowest formaldehyde emissions in the world
- IDROLEB also ensures defence against humidity
- Italian-crafted for superior quality
- Drawer organization available (sold separately)

SPECIFICATIONS:

Dimensions: (WHD) 47¼" x 19" x 20¼"
(1200mm x 480mm x 515mm)*

Weight: 97lbs (44kg)*

Materials: Hard Surface Technology (HST)
Hard Surface Technology (HST) finishes offer extraordinary technical performance in terms of exceptional durability, extremely high resistance to scratches and chemicals, in addition to a beautiful aesthetic and tactile wood grain effect

Lacquer

Warranty: Five Year Limited Warranty (Residential)
One Year Warranty (Commercial)

Shipping Weight: 116.8lbs (53kg)*

Shipping Dimensions (WHD) 51½" x 23¼" x 24¼"
(1310mm x 590mm x 615mm)

STOCKED

COLOR/FINISH:

HST	Lacquer
K16 Bianco	01M White Matte

TIER A:

HST				Lacquer
K11 Seta	K12 Tabacco	K14 Onice	K18 Fumo	01G White Gloss

VANITY TOP OPTIONS:

- SA1200/SA1210 blu-stone™ vanity top basin
- SAC1200 blu-stone™ vanity countertop

DRAWER ORGANIZATION OPTIONS:

- F01AC-02 2 Cosmetic Holders
- F01AC-01 2 Storage Compartments
- F01AC-04 1 Tissue Box
- F01AC-03 2 Storage Bin Sets

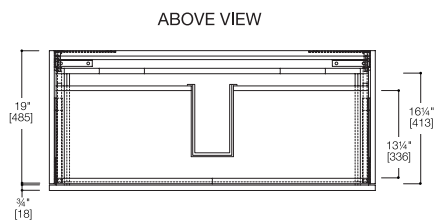
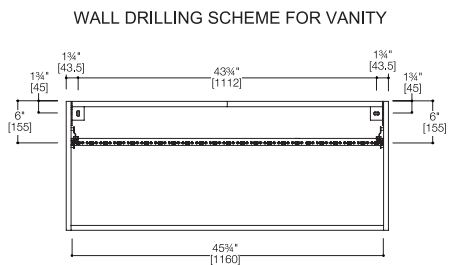
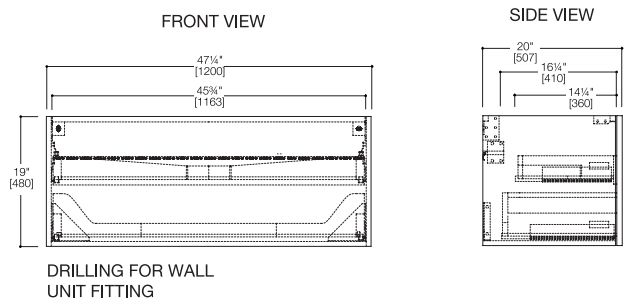
INSTALLATION NOTES:

Install this product according to the installation guide. Our products must be installed by professionals only and according to our installation guide as well as federal, provincial / state and local building codes and regulations.



*Approximate measurements for comparison only.

Note: These dimensions and specifications are subject to change without notice.



Drawer organization available for all 51 vanities

