

F51V1-0600 SPECIFICATIONS

51 collection series 600 wall-mount vanity

FEATURES:

- Wall-mounted vanity with deep drawer + slim drawer insert
- Slim inner drawer designed for plumbing clearance
- Solid rust-free painted powder frame construction and drawer runners
- Hettich push/pull drawer opening system
- One continuous bracket along the backside for ease of installation: allows for easy retro-fitting/hitting studs where backing or additional support is not available
- Wall mount design opens space and facilitates easy cleaning
- Made of IDROLEB ECOLOGICAL PANEL with the lowest formaldehyde emissions in the world
- IDROLEB also ensures defence against humidity
- Italian-crafted for superior quality
- Drawer organization available (sold separately)

SPECIFICATIONS:

Dimensions: (WHD) 23½" x 19" x 20¼"
(600mm x 480mm x 515mm)*

Weight: 61.7lbs (28kg)*

Materials: Hard Surface Technology (HST)
Hard Surface Technology (HST) finishes offer extraordinary technical performance in terms of exceptional durability, extremely high resistance to scratches and chemicals, in addition to a beautiful aesthetic and tactile wood grain effect

Lacquer

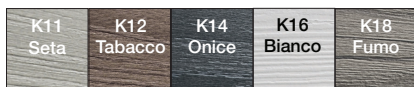
Warranty: Five Year Limited Warranty (Residential)
One Year Warranty (Commercial)

Shipping Weight: 71.2lbs (32.3kg)*

Shipping Dimensions (WHD) 28" x 23¼" x 24¼"
(710mm x 590mm x 615mm)

STOCKED COLOR/FINISH:

HST



Lacquer

01M White Matte	01G White Gloss
-----------------------	-----------------------

VANITY/COUNTER TOP OPTIONS:

- SA0600 blu-stone™ vanity top basin
- SAC0600 blu-stone™ vanity countertop

DRAWER ORGANIZATION OPTIONS:

- F01AC-02 2 Cosmetic Holders
- F01AC-01 2 Storage Compartments
- F01AC-04 1 Tissue Box
- F01AC-03 2 Storage Bin Sets

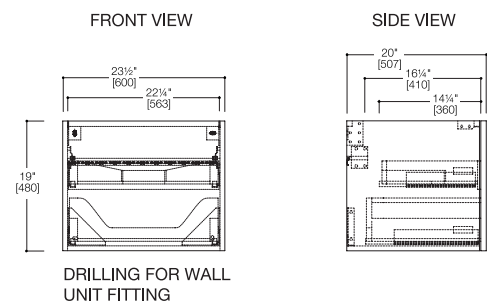
INSTALLATION NOTES:

Install this product according to the installation guide. Our products must be installed by professionals only and according to our installation guide as well as federal, provincial / state and local building codes and regulations.

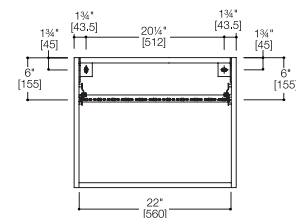


*Approximate measurements for comparison only.

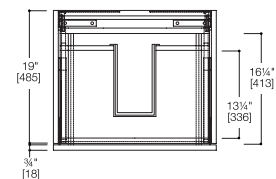
Note: These dimensions and specifications are subject to change without notice.



WALL DRILLING SCHEME FOR VANITY



ABOVE VIEW



Drawer organization available for all 51 vanities

