

# F51M2-1200 SPECIFICATIONS

## 51 collection series 1200 frameless mirror with LED perimeter lighting

### FEATURES:

- Frameless mirror with soft LED perimeter lighting
- Discreet touch sensor switch on mirror face
- 110V strip LED 4.8 W/MT 4200K
- Integral channel on the back for ease of installation:  
allows installer to adjust brackets to hit studs accordingly
- Italian-crafted for superior quality

### SPECIFICATIONS:

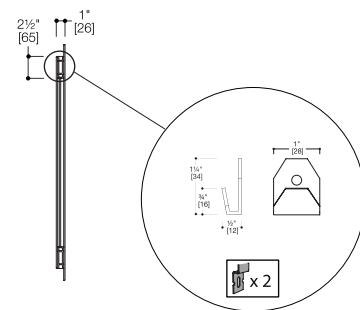
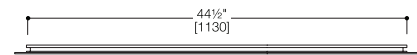
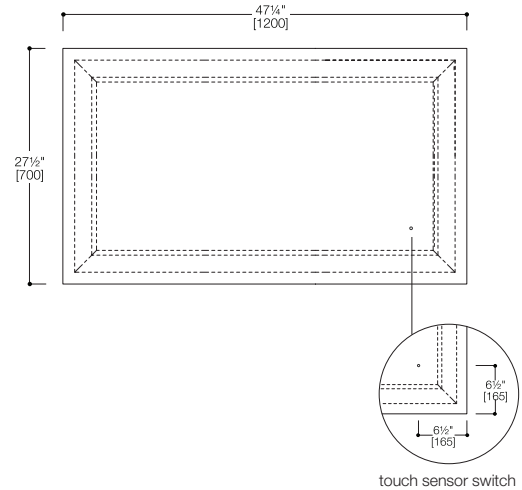
Dimensions:	(WHD) 47¼" x 27½" x 1" (1200mm x 700mm x 26mm)*
Weight:	22lbs (10kg)*
Warranty:	Five Year Limited Warranty (Residential) One Year Warranty (Commercial)
Shipping Weight:	27.7lbs (13.5kg)*
Shipping Dimensions:	(WHD) 49¼" x 29½" x 2¼" (1250mm x 750mm x 60mm)*

### INSTALLATION NOTES:

Install this product according to the installation guide. Our products must be installed by professionals only and according to our installation guide as well as federal, provincial / state and local building codes and regulations.

### CODES:

- Meets or exceeds UL/ULC, and CSA requirements
- CSA 22.2
- UL/ULC 962
- UL/ULC 8750



\*Approximate measurements for comparison only.  
**Note:** These dimensions and specifications are subject to change without notice.