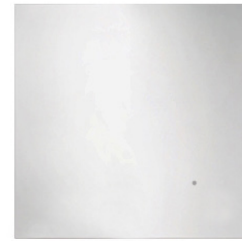


F51M2-0700 SPECIFICATIONS

51 collection series 700 frameless mirror with LED perimeter lighting

FEATURES:

- Frameless mirror with soft LED perimeter lighting
- Discreet touch sensor switch on mirror face
- 110V strip LED 4.8 W/MT 4200K
- Integral channel on the back for ease of installation:
allows installer to adjust brackets to hit studs accordingly
- Italian-crafted for superior quality



SPECIFICATIONS:

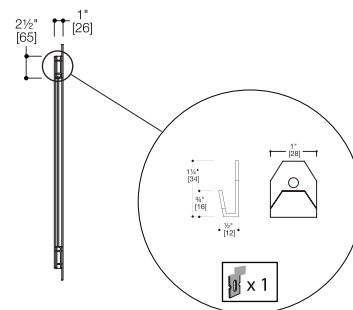
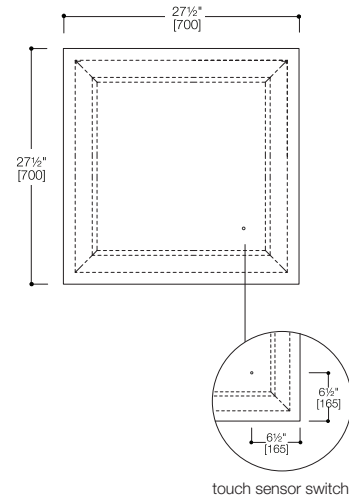
Dimensions:	(WHD) 27½" x 27½" x 1" (700mm x 700mm x 26mm)*
Weight:	14.3lbs (6.5kg)*
Warranty:	Five Year Limited Warranty (Residential) One Year Warranty (Commercial)
Shipping Weight:	18.7lbs (8.5kg)*
Shipping Dimensions	(WHD) 29½" x 29½" x 2¼" (750mm x 750mm x 60mm)*

INSTALLATION NOTES:

Install this product according to the installation guide.
Our products must be installed by professionals only
and according to our installation guide as well as federal,
provincial / state and local building codes and regulations.

CODES:

- Meets or exceeds UL/ULC, and CSA requirements
- CSA 22.2
- UL/ULC 962
- UL/ULC 8750



*Approximate measurements for comparison only.

Note: These dimensions and specifications are subject to change without notice.