

F51M2-0600 SPECIFICATIONS

51 collection series 600 frameless mirror with LED perimeter lighting

FEATURES:

- Frameless mirror with soft LED perimeter lighting
- Discreet touch sensor switch on mirror face
- 110V strip LED 4.8 W/MT 4200K
- Integral channel on the back for ease of installation:
allows installer to adjust brackets to hit studs accordingly
- Italian-crafted for superior quality

SPECIFICATIONS:

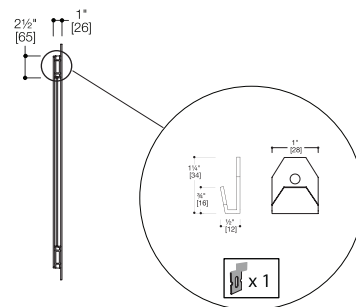
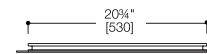
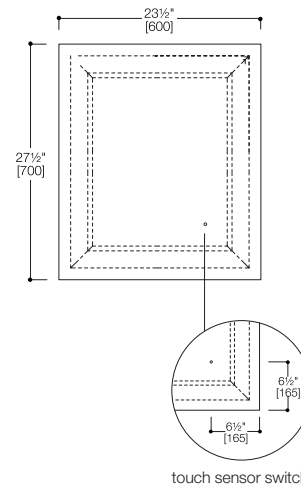
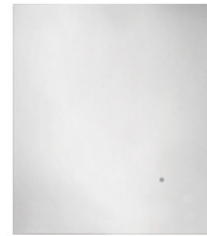
| | |
|----------------------|--|
| Dimensions: | (WHD) 23½" × 27½" × 1" (600mm x 700mm x 26mm)* |
| Weight: | 12.1lbs (5.5kg)* |
| Warranty: | Five Year Limited Warranty (Residential) One Year Warranty (Commercial) |
| Shipping Weight: | 16.5lbs (7.5kg)* |
| Shipping Dimensions: | (WHD) 25½" × 29½" × 2¼" (650mm x 750mm x 60mm)* |

INSTALLATION NOTES:

Install this product according to the installation guide. Our products must be installed by professionals only and according to our installation guide as well as federal, provincial / state and local building codes and regulations.

CODES:

- Meets or exceeds UL/ULC, and CSA requirements
- CSA 22.2
- UL/ULC 962
- UL/ULC 8750



*Approximate measurements for comparison only.
Note: These dimensions and specifications are subject to change without notice.