

F51M1-1200 SPECIFICATIONS

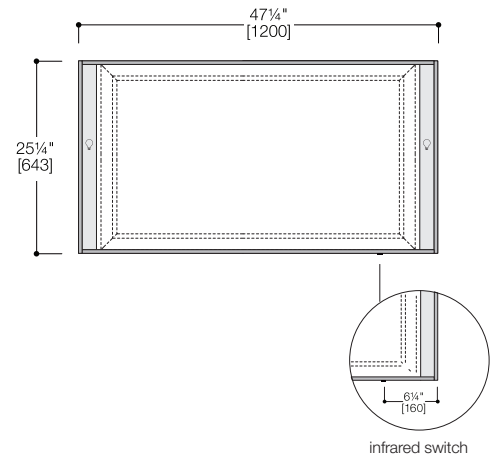
51 collection series 1200 box frame mirror with LED lighting

FEATURES:

- Box perimeter frame mirror with two vertical LED lights + infrared switch
- 110V strip LED 9.6W/MT RV4200K
- Frame serves as an integral shelf
- Integral channel on the back for ease of installation: allows installer to adjust brackets to hit studs accordingly
- Made of IDROLEB ECOLOGICAL PANEL with the lowest formaldehyde emissions in the world
- IDROLEB also ensures defence against humidity
- Italian-crafted for superior quality

SPECIFICATIONS:

Dimensions:	(WHD) 47¼" × 25¼" × 5" (1200mm x 643mm x 125mm)*
Weight:	28.6lbs (13kg)*
Materials:	White Lacquer: MDF
Warranty:	Five Year Limited Warranty (Residential) One Year Warranty (Commercial)
Shipping Weight:	34.6lbs (15.7kg)*
Shipping Dimensions:	(WHD) 49¼" × 27¼" × 7" (1250mm x 690mm x 175mm)*



STOCKED COLOR/FINISH:

Lacquer

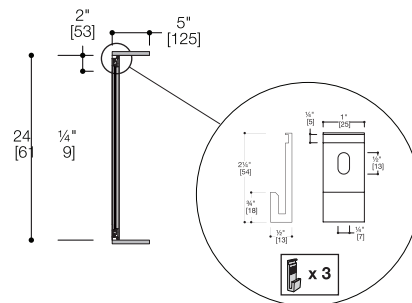
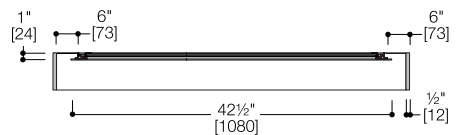
01M
White
Matte

INSTALLATION NOTES:

Install this product according to the installation guide. Our products must be installed by professionals only and according to our installation guide as well as federal, provincial / state and local building codes and regulations.

CODES:

- Meets or exceeds UL/ULC, and CSA requirements
- CSA 22.2
- UL/ULC 962
- UL/ULC 8750



*Approximate measurements for comparison only.

Note: These dimensions and specifications are subject to change without notice.