

F45M1-0900 SPECIFICATIONS

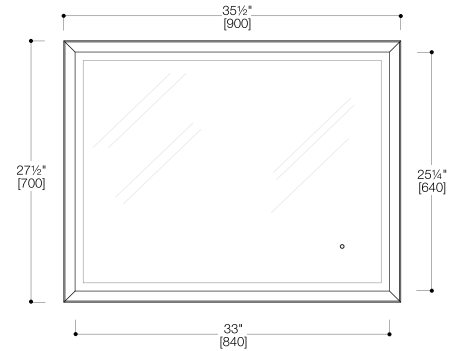
45° collection series 900 mirror with LED lighting

FEATURES:

- Framed mirror with soft LED perimeter lighting
- Discreet touch sensor switch on mirror face
- 110V strip LED 9.6W/MT RV4200K
- Unique 45 degree join on all four angles
- Frosted edging around mirror perimeter
- Integral channel on the back for ease of installation: allows installer to adjust brackets to hit studs accordingly
- Made of IDROLEB ECOLOGICAL PANEL with the lowest formaldehyde emissions in the world
- IDROLEB also ensures defence against humidity
- Italian-crafted for superior quality

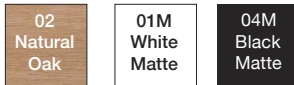
SPECIFICATIONS:

Dimensions:	(WHD) 35½" x 27½" x 1½" (900mm x 700mm x 40mm)*
Weight:	24.2lbs (11kg)*
Materials:	Natural Oak: MDF with veneered oak finish White/Black Lacquer: MDF
Warranty:	Five Year Limited Warranty (Residential) One Year Warranty (Commercial)
Shipping Weight:	28.6lbs (13kg)*
Shipping Dimensions	(WHD) 37½" x 29½" x 2¼" (950mm x 750mm x 60mm)*



STOCKED COLOR/FINISH:

Wood Lacquer

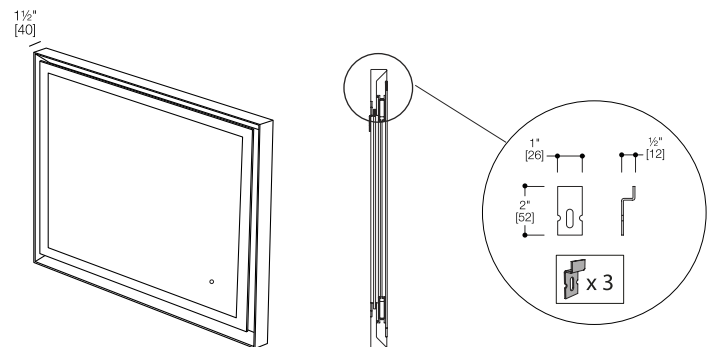
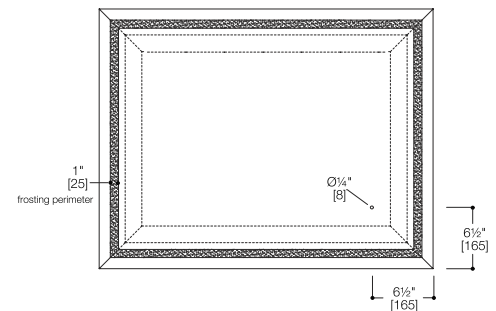


INSTALLATION NOTES:

Install this product according to the installation guide. Our products must be installed by professionals only and according to our installation guide as well as federal, provincial / state and local building codes and regulations.

CODES:

- Meets or exceeds UL/ULC, and CSA requirements
- CSA 22.2
- UL/ULC 962
- UL/ULC 8750



*Approximate measurements for comparison only.
Note: These dimensions and specifications are subject to change without notice.