

BTWaste.RN SPECIFICATIONS

island tub drain for freestanding bathtubs

FEATURES:

- Freestanding tub rough-in, can be used for blu·stone™ & acrylic bathtubs (install before tile installation)
- 18 Gauge Epoxy coated Metal Deck Flange
- Designed to be installed in an 8"/10" joist space
- Brass tailpiece
- Built-in snap-off test cap - allows for water/air/smoke testing (rated to 30 PSI)



SPECIFICATIONS:

Warranty: Limited lifetime warranty (residential)
One year warranty (commercial)

Material: Metal, ABS

ACCESSORIES (included):

- ABS Adapter Kit
- Island Drain assembly with 1½" DWV ABS Tailpiece
- 2 x Brass Tailpieces (fine threaded & flanged)
- 2" x 1½" ABS Reducing Bushing
- Cutting template

INSTALLATION:

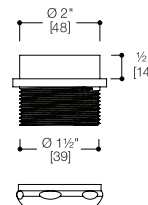
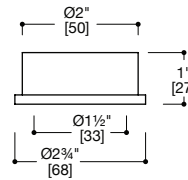
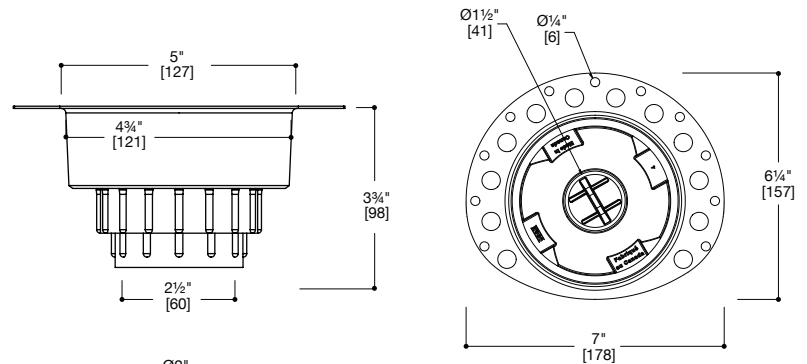
NOTE: Island tub drain is **not for use** with liquid or sheet membranes.

NOTE: Island tub drain **must be installed** in a dry area with no potential of water contact.

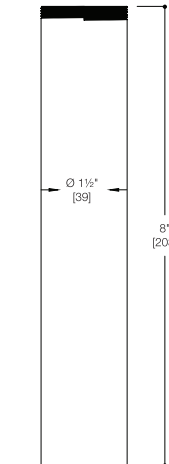
Install this product according to the installation guide.
Our products must be installed by certified professionals only and according to our installation guide as well as federal, provincial/state and local building codes and regulations.

CODES / STANDARDS APPLICABLE:

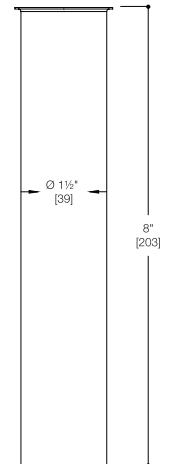
- Meets or exceeds ANSI / ASME standard A112.18.1 and CAN / CSA B125.1-05 requirements
- CSA / UPC / cUPC



ABS or PVC Adaptor Kit



Fine Thread Tailpiece



Flanged Tailpiece



*Approximate measurements for comparison only.
Note: These dimensions and specifications are subject to change without notice.