

BT8006B15 SPECIFICATIONS

halo acrylic freestanding bathtub

FEATURES:

- Freestanding, acrylic bathtub with slot overflow
- Streamlined, high profile and seamless one piece design
- 59" (1500mm) L x 28 1/4" (720mm) W x 23 1/4" (590mm) H
- Sleek, thin profile rim
- Includes white matte or gloss waste
- Tailpiece not included (Blu recommends BTWaste.RN or BTWasteCl.RN)

SPECIFICATIONS:

| | |
|-------------------------|--|
| Basin Area: | 39 1/4" (1000mm) x 18 1/2" (470mm)* |
| Top Area: | 56 3/4" (1440mm) x 26" (660mm)* |
| To Overflow: | 2 1/4" (60mm)* |
| Water Depth: | 15" (380mm)* |
| Capacity: | 63G (240L)* |
| Slope of Backrest: | 73°* |
| Weight: | 81.5 lbs (37 kg)* |
| Hot water supply req'd: | Should be 70% of water capacity of tub or greater |
| Warranty: | Five Year Warranty (Residential use) One Year Warranty (Commercial use) |
| Material: | Acrylic |
| Shipping Weight: | 108 lbs (49 kg)* |
| Shipping Dimensions: | (LWH) 61" x 29 3/4" x 24 3/4" (1549mm x 756mm x 629mm)* |

FINISH:

White Matte and Gloss finish as standard

ACCESSORIES (sold separately):

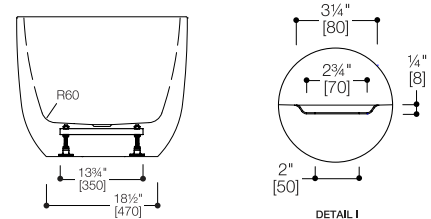
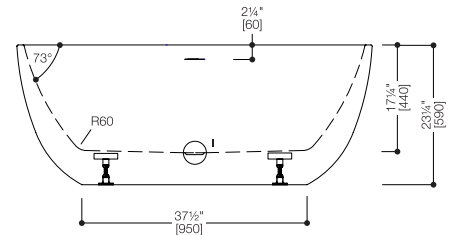
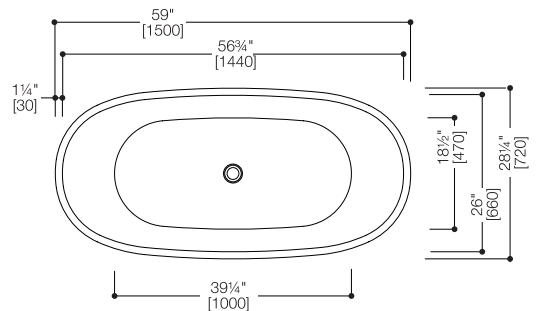
- BTWaste.RN or BTWasteCl.RN Island tub drain for easy installation

INSTALLATION NOTES:

Install this product according to the installation guide.
Floor support under bath must provide for a minimum of 1400 lbs (635kg). Installation will vary. Our products must be installed by certified professionals only and according to our installation guide as well as federal, provincial / state and local building codes and regulations

CODES / STANDARDS APPLICABLE:

- Meets or exceeds ANSI / ASME standard Z124.1.2 and CAN / CSA B 45 requirements
- IAPMO / UPC / cUPC



*Approximate measurements for comparison only.
Note: These dimensions and specifications are subject to change without notice.