

BT8004B18 SPECIFICATIONS

pisa·4 acrylic freestanding bathtub

FEATURES:

- Freestanding, acrylic bathtub with overflow
- Streamlined, high profile and seamless one piece design
- 70" (1780mm) L x 31½" (800mm) W x 22" (560mm) H
- Sleek, thin profile rim
- Includes white matte or gloss waste
- Optional Brushed Nickel and White Gloss waste & overflow kits available
- Tailpiece not included (Blu recommends BTWaste.RN or BTWasteCI.RN)

SPECIFICATIONS:

Basin Area:	45¼" (1150mm) x 19" (480mm)*
Top Area:	67½" (1715mm) x 29¼" (740mm)*
To Overflow:	2¼" (60mm)*
Water Depth:	15¼" (390mm)*
Slope of Backrest:	58°*
Capacity:	82G (310L)*
Weight:	88lbs (40kg)*
Hot water supply req'd:	Should be 70% of water capacity of tub or greater
Warranty:	Five Year Warranty (Residential use) One Year Warranty (Commercial use)
Material:	Acrylic
Shipping Weight:	108lbs (49kg)*
Shipping Dimensions:	(LWH) 72½" x 32¼" x 23" (1840mm x 820mm x 580mm)*

FINISH:

White Matte and Gloss finish as standard

ACCESSORIES (sold separately):

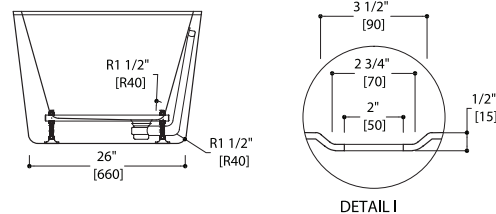
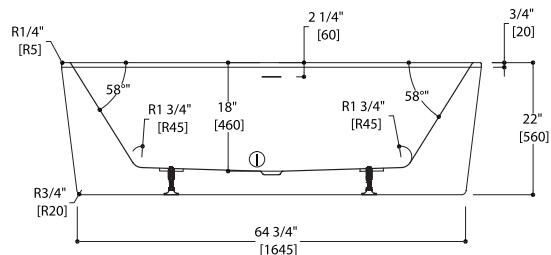
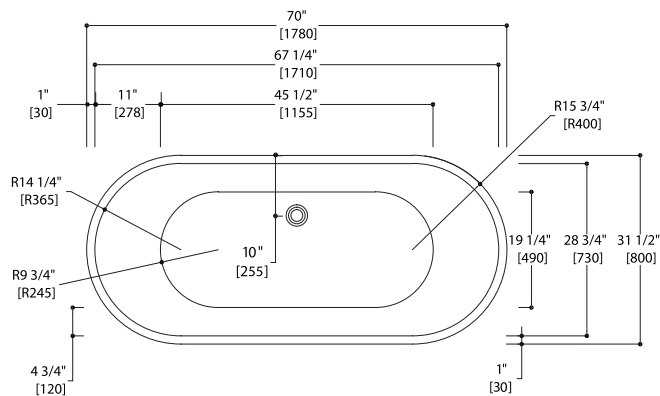
- BTWaste.RN or BTWasteCI.RN Island tub drain for easy installation
- Waste & slot overflow kit available in Brushed Nickel (BT8000-BN) or White Gloss (BT8000-01G)

INSTALLATION NOTES:

Install this product according to the installation guide. Floor support under bath must provide for a minimum of 1400 lbs (635kg). Installation will vary. Our products must be installed by certified professionals only and according to our installation guide as well as federal, provincial / state and local building codes and regulations

CODES / STANDARDS APPLICABLE:

- Meets or exceeds ANSI / ASME standard Z124.1.2 and CAN / CSA B 45 requirements
- IAPMO / UPC / cUPC



*Approximate measurements for comparison only.
Note: These dimensions and specifications are subject to change without notice.