

BT8002B18 SPECIFICATIONS

coco acrylic freestanding bathtub

FEATURES:

- Freestanding, acrylic bathtub with slot overflow
- Streamlined, high profile and seamless one piece design
- 70" (1780mm) L x 31 1/2" (800mm) W x 21 3/4" (550mm) H
- Includes white matte or gloss waste
- Tailpiece not included (Blu recommends BTWaste.RN or BTWasteCI.RN)



SPECIFICATIONS:

Basin Area:	45 1/4" (1150mm) x 18" (460mm)*
Top Area:	63 3/4" (1620mm) x 25 1/4" (640mm)*
To Overflow:	2 1/4" (60mm)*
Water Depth:	14 1/2" (370mm)*
Capacity:	74G (280L)*
Slope of Backrest:	61°**
Weight:	95lbs (43kg)*
Hot water supply req'd:	Should be 70% of water capacity of tub or greater
Warranty:	Five Year Warranty (Residential use) One Year Warranty (Commercial use)
Material:	Acrylic
Shipping Weight:	114lbs (52kg)*
Shipping Dimensions:	(LWH) 72 1/2" x 32 1/4" x 23 1/4" (1840mm x 820mm x 590mm)*

FINISH:

White Matte and Gloss finish as standard

ACCESSORIES (sold separately):

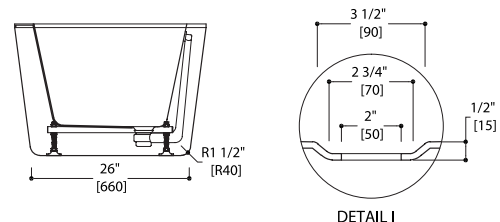
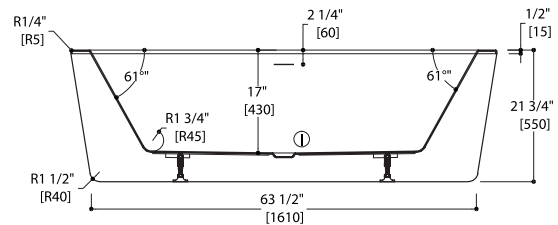
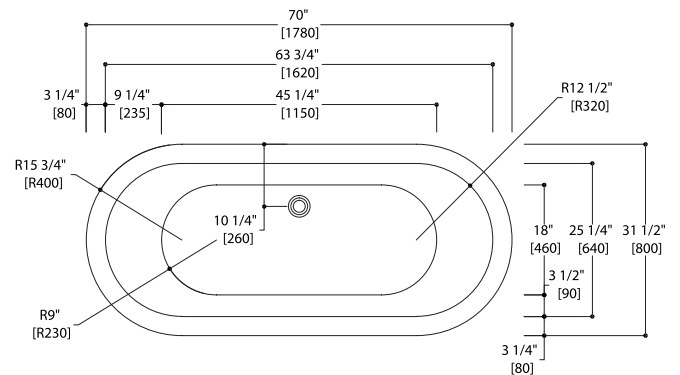
- BTWaste.RN or BTWasteCI.RN Island tub drain for easy installation

INSTALLATION NOTES:

Install this product according to the installation guide. Floor support under bath must provide for a minimum of 1400 lbs (635kg). Installation will vary. Our products must be installed by certified professionals only and according to our installation guide as well as federal, provincial / state and local building codes and regulations

CODES / STANDARDS APPLICABLE:

- Meets or exceeds ANSI / ASME standard Z124.1.2 and CAN / CSA B 45 requirements
- IAPMO / UPC / cUPC



*Approximate measurements for comparison only.
Note: These dimensions and specifications are subject to change without notice.