

BT8001 SPECIFICATIONS

box acrylic freestanding/alcove bathtub

FEATURES:

- Freestanding or alcove acrylic bathtub with slot overflow
- Streamlined, high profile and seamless one piece design
- 60" (1524mm) L x 32" (813mm) W x 21" (533mm) H
- End drain suitable for left or right hand drain installation
- Includes white gloss waste
- Alcove installation requires separate tile flange, not included (Blu recommends TF.BTSB tile flange)
- Tailpiece not included (Blu recommends BTWaste.RN or BTWasteCI.RN)

SPECIFICATIONS:

| | |
|-------------------------|--|
| Basin Area: | 45 1/4" (1146mm) x 26" (660mm)* |
| Top Area: | 52" (1320mm) x 28" (711mm)* |
| To Overflow: | 2 1/4" (60mm)* |
| Water Depth: | 14 1/2" (371mm)* |
| Capacity: | 68GL (258L) |
| Slope of Backrest: | 74° |
| Weight: | 73lbs (33kg) |
| Hot water supply req'd: | Should be 70% of water capacity of tub or greater |
| Warranty: | Five Year Warranty (Residential use) One Year Warranty (Commercial use) |
| Material: | Acrylic |
| Shipping Weight: | 43kg |
| Shipping Dimensions: | (LWH) 62 1/2" x 32" x 22" (1585mm x 835mm x 565mm) |

FINISH:

White gloss

ACCESSORIES (sold separately):

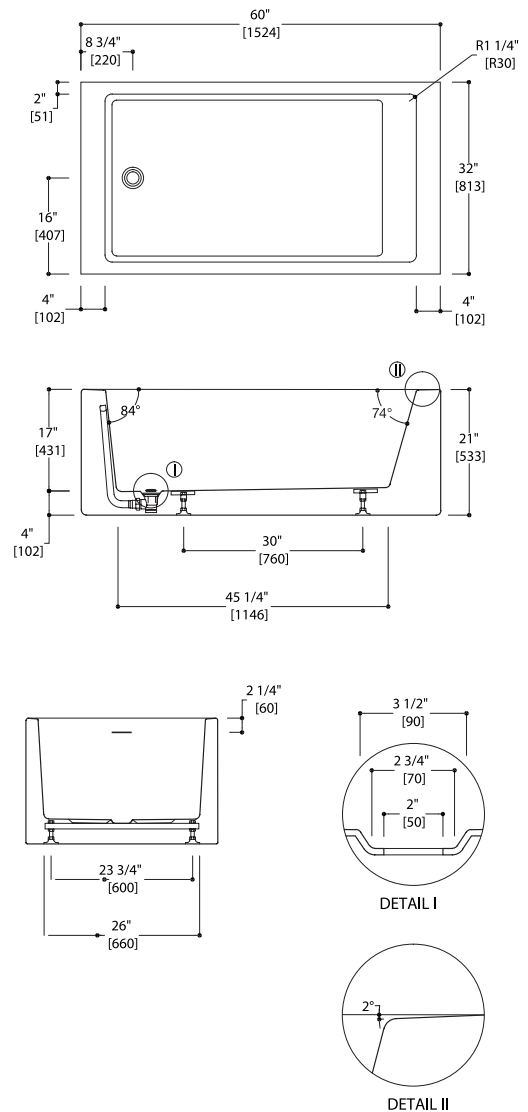
- TF.BTSB tile flange for alcove installation
- BTWaste.RN or BTWasteCI.RN Island tub drain for easy installation

INSTALLATION NOTES:

Install this product according to the installation guide. Floor support under bath must provide for a minimum of 1400 lbs (635kg). Installation will vary. Our products must be installed by certified professionals only and according to our installation guide as well as federal, provincial / state and local building codes and regulations

CODES / STANDARDS APPLICABLE:

- Meets or exceeds ANSI / ASME standard Z124.1.2 and CAN / CSA B 45 requirements
- IAPMO / UPC / cUPC



*Approximate measurements for comparison only.
Note: These dimensions and specifications are subject to change without notice.