

BT0402N17 SPECIFICATIONS

fini-1 blu-stone™ freestanding bathtub

FEATURES:

- Freestanding, blu-stone™ bathtub
- Streamlined, high profile one piece design
- 68¾" (1750mm) L x 31½" (800mm) W x 21¾" (550mm) H
- Includes integral slot overflow & matching blu-stone™ waste cover
- Made of blu-stone™ providing the look and feel of natural stone
- Stronger and more durable than acrylic
- Non-porous, stain resistant surface that does not require sealing
- Does not promote bacteria, mold or fungi
- Tailpiece not included (Blu recommends BTWaste.RN or BTWasteCl.RN)

SPECIFICATIONS:

Basin Area:	47½" (1210mm) x 20" (510mm)*
Top Area:	65¼" (1660mm) x 28" (710mm)*
To Overflow:	2¼" (60mm)*
Slope of Backrest:	85°*
Water Depth:	15¼" (390mm)*
Capacity:	87G (325L)*
Weight:	320lbs (145kg)*
Hot water supply req'd:	Should be 70% of water capacity of tub or greater
Warranty:	Five Year Warranty (Residential use) One Year Warranty (Commercial use)
Material:	blu-stone™
Shipping Weight:	430lbs (195kg)*
Shipping Dimensions	(LWH) 73¾" x 38" x 32¼" (1875mm x 965mm x 820mm)*

FINISHES:

White Matte or Gloss as standard

ACCESSORIES (sold separately):

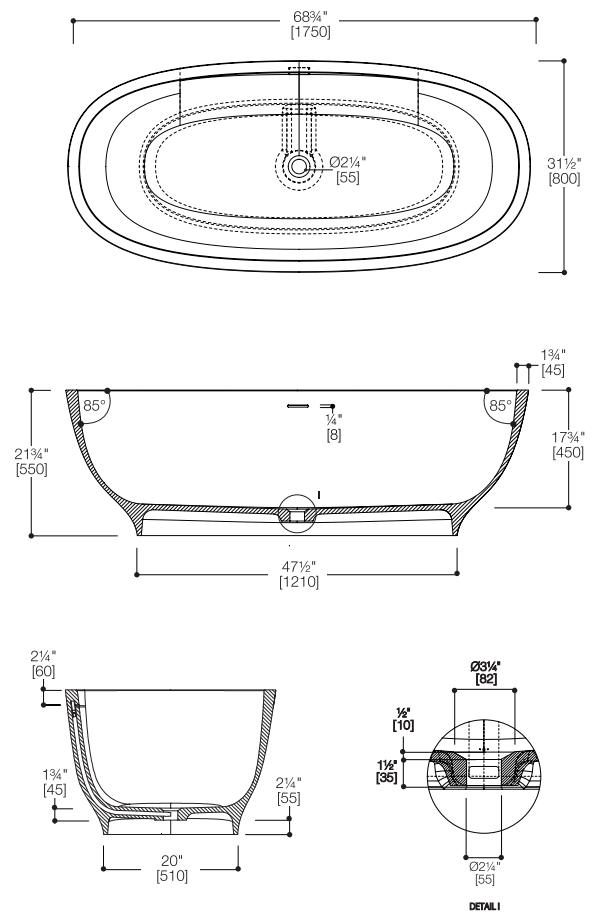
- BTWaste.RN or BTWasteCl.RN Island tub drain for easy installation

INSTALLATION NOTES:

Install this product according to the installation guide. Floor support under bath must provide for a minimum of 1400 lbs (635kg). Installation will vary. Our products must be installed by certified professionals only and according to our installation guide as well as federal, provincial / state and local building codes and regulations

CODES / STANDARDS APPLICABLE:

- Meets or exceeds ANSI / ASME standard CSA B45.5.11 / IAPMO Z124
- IAPMO / ANSI Z124.8
- CSA



*Approximate measurements for comparison only.

Note: These dimensions and specifications are subject to change without notice.