

SA0910 SPECIFICATIONS

series 900 blu·stone™ integrated basin
plano series

DESCRIPTION:

- Modern integrated basin & countertop with integral slot overflow & matching blu·stone™ waste cover
- Made of blu·stone™ - providing the look & feel of natural stone
- Knockouts may be drilled on-site for deck mount faucet
- Stronger & more durable than ceramic
- Non-porous, stain resistant surface that does not require sealing
- Does not promote bacteria, mold or fungi

SPECIFICATIONS:

Warranty:	Five Year Limited Warranty (Residential) One Year Warranty (Commercial)
Drain hole:	1 3/4" (45mm)
Dimensions:	(WHD) 35 3/4" x 6 3/4" x 20 1/4" (905mm x 173mm x 515mm)*
Apron Height:	4" (100mm)
Material:	blu·stone™
Shipping weight:	68.3lbs (31KG)
Shipping dimensions:	(WHD) 37 1/2" x 22 1/4" x 8 3/4" (955mm x 565mm x 223mm)

COLOR / FINISHES:

White matte and gloss available (Tier 1)

ACCESSORIES:

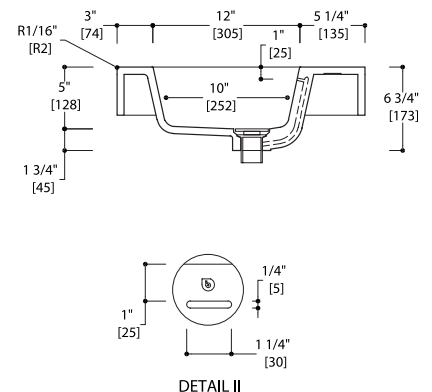
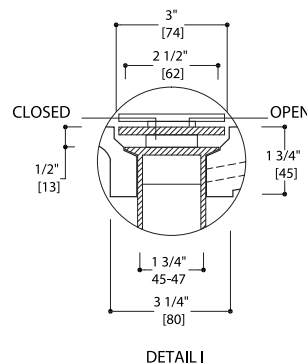
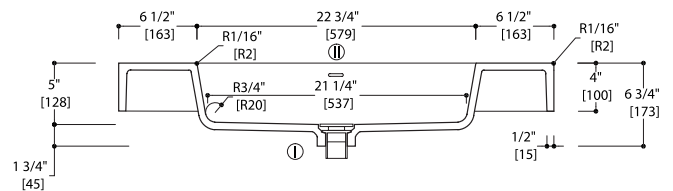
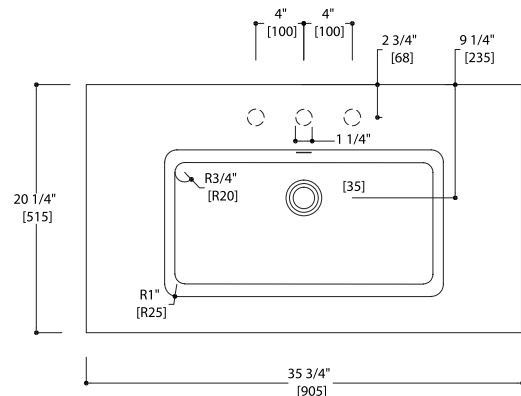
- Recommend TW121 or TW121-S push button waste

INSTALLATION NOTES:

Install this product according to the installation guide. Our products must be installed by certified professionals only and according to our installation guide as well as federal, provincial / state and local building codes and regulations. Product has an overflow. Deck mount faucet spout must provide a minimum of 5" reach for adequate clearance into basin, minimum 7 1/2" for wall mount faucet spout.

CODES / STANDARDS APPLICABLE:

- ADA
- ASME A112.19.2
- IAPMO / cUPC
- ICC / ANSI A117.1
- CSA B 45
- Fixture dimensions and hydraulic performance meet or exceed ANSI / ASME standard A112.19.2, A112.19.9M and CAN / CSA B 45 requirements.



*Approximate measurements for comparison only.
Note: These dimensions and specifications are subject to change without notice.