

SB9120.01 SPECIFICATIONS

blu-stone™ shower base

FEATURES:

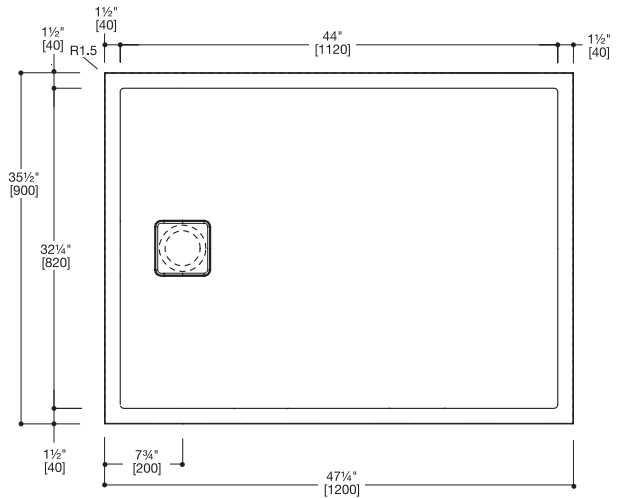
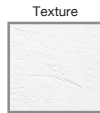
- Streamlined, one piece modern design with sleek matching blu-stone™ drain cover
- Ultra-low 1½" threshold for convenient entry/exit
- Made of textured blu-stone™, providing the look and feel of natural stone
- Stronger and more durable than acrylic
- Non-porous, stain resistant surface that does not require sealing
- Does not promote bacteria, mold or fungi
- Versatile left/right-hand drain installation
- Textured + slip resistant for added safety
- Suitable for surface-mount or recessed installation
- Easily customizable, can be cut on-site to fit



SPECIFICATIONS:

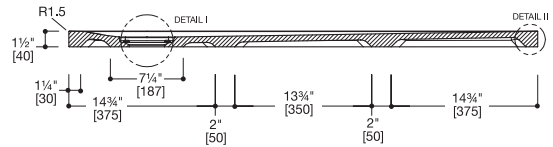
Drain opening:	Ø3½" (Ø90mm)
Dimensions:	(LWH) 47¼" x 35½" x 1½" (1200mm x 900mm x 40mm)
Warranty:	Five Year Warranty (Residential use) One Year Warranty (Commercial use)
Weight:	99lbs (45kg)
Material:	blu-stone™
Shipping Weight:	121lbs (55kg)
Shipping Dimensions:	(LWH) 52¼" x 40" x 3" (1400mm x 1020mm x 80mm)*

COLOR/FINISH:



ACCESSORIES:

- blu-stone™ drain cover included
- standard drain is required (not Included)
- TF.BTSB tile flange for alcove installation (sold separately)



INSTALLATION NOTES:

Install this product according to the installation guide. Our products must be installed by certified professionals only and according to our installation guide as well as federal, provincial / state and local building codes and regulations.

CODES / STANDARDS APPLICABLE:

- ADA
- ANSI / ASME Z124.1.2
- CSA B 45
- IAPMO / cUPC



*Approximate measurements for comparison only.
Note: These dimensions and specifications are subject to change without notice.

