

# FXV2-1401 + FV2D-1400 SPECIFICATIONS

## 45° FENIX collection

### UP series 1400 wall-mount vanity

#### FEATURES:

- Wall-mounted double vanity with single drawers, open bottom shelf + left-hand integrated basin
- Integrated infinity-style basin with offset bowl & central drain concealed by a sloped cover, without overflow
- Top + lower angles feature a unique 45 degree join
- Drawer organization included: 2 storage compartments
- Slim inner drawer designed for plumbing clearance
- Recessed integral finger pull channel with Hettich soft-close system
- One continuous bracket along the backside for ease of installation: allows for easy retrofitting/hitting studs (Refer to the Installation Guide)
- Wall-mount design opens space & facilitates easy cleaning
- Italian-crafted for superior quality



#### SPECIFICATIONS:

Dimensions:	(WHD) 55" x 19" x 20¼" (1400mm x 480mm x 515mm)*
Shipping Dimensions	(WHD) 59½" x 23¼" x 24¼" (1510mm x 590mm x 615mm)
Warranty:	Five Year Limited Warranty (Residential) One Year Warranty (Commercial)

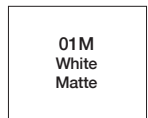
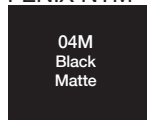
#### ACCESSORIES (SOLD SEPARATELY):

- Recommend Geberit siphon trap: 151.116.11.1, 151.117.11.1 or 151.118.11.1

#### COLORS/FINISHES:

##### A VANITY FRAME

##### FENIX NTM™



##### B DRAWER FRONT

##### FENIX NTM™



##### WOOD



##### LACQUER



01M - matte  
01G - gloss

04M - matte  
04G - gloss

62M - matte  
62G - gloss

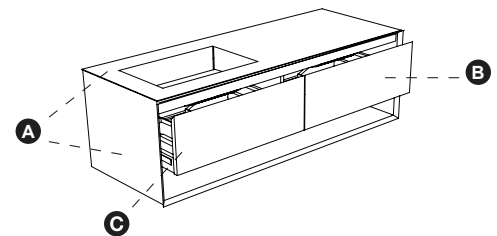
68M - matte  
68G - gloss

88M - matte  
88G - gloss

90M - matte  
90G - gloss

94M - matte  
94G - gloss

96M - matte  
96G - gloss



Note: Wood is a natural product, therefore any variations in color, vein or finish on wood is considered part of the wood's value and craftsmanship.

##### A FENIX NTM®

**B** An innovative Nanotech material: a smart surface, extremely matte, fingerprint proof, soft to the touch but resistant to rubbing, abrasions, impacts, and thermally self-heals micro-scratches.

##### B Wood - Natural Oak

Constructed of real massif wood + wood veneer finish

##### Wood -Vintage Oak

Wood veneer on a multi layer birch wood panel

##### Wood - Distressed Oak/Everest

Solid wood three layer oak

##### Lacquer

Engineered wood (MDF) panel IDROCARB

##### C

Solid rust free powder coating metal drawer with side glass Hettich soft closing system

Drawer organization included



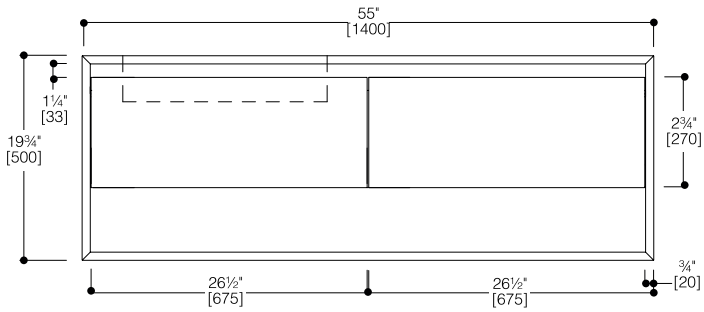
\*Approximate measurements for comparison only.

Note: These dimensions and specifications are subject to change without notice.

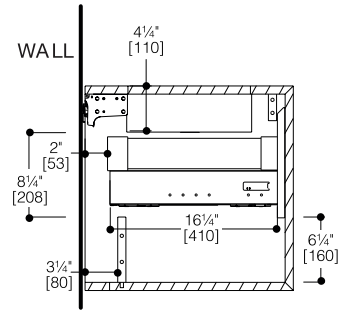
# FXV2-1401 + FV2D-1400 SPECIFICATIONS

## 45° FENIX collection

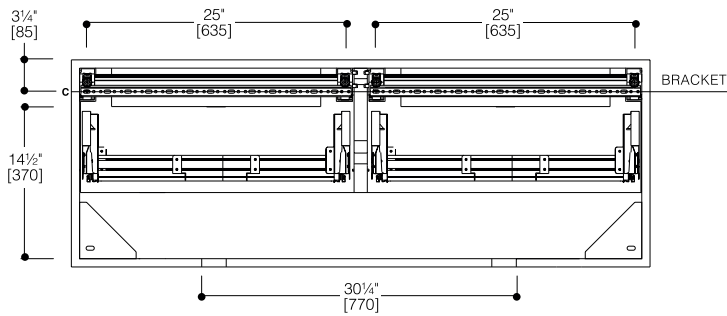
### UP series 1400 wall-mount vanity



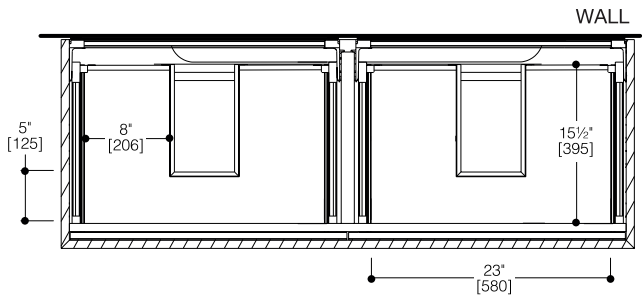
FRONT VIEW



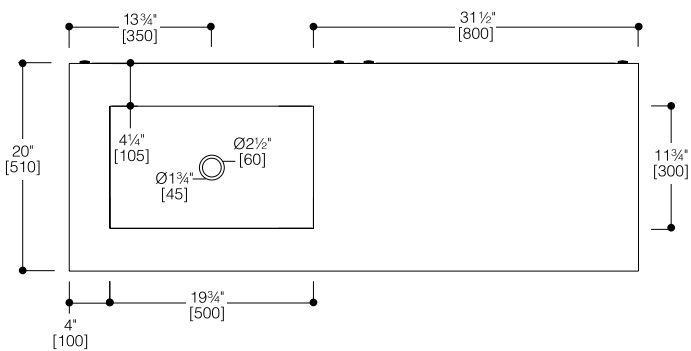
SIDE VIEW



WALL DRILLING SCHEME FOR VANITY



TOP DRAWER VIEW



VANITY TOP VIEW

#### INSTALLATION NOTES:

Install this product according to the installation guide. Our products must be installed by professionals only and according to our installation guide as well as federal, provincial / state and local building codes and regulations.