

BT6700 SPECIFICATIONS

amanpuri-7 blu-stone™ bathtub with recessed shelving

BATHTUB FEATURES:

- Seamless, one-piece blu-stone™ bathtub with 2-sided apron
- Suitable for freestanding or alcove installation
- 83½" L x 41¾" W x 20½" H
- Soaking tub, with 77 gallon (290L) capacity
- Includes integral slot over low & matching blu-stone™ waste cover
- Center drain installation
- Extended front and side deck area suitable for deck-mount faucet installation
- Made of blu-stone™, providing the look and feel of natural stone
- Stronger and more durable than acrylic
- Non-porous, stain resistant surface that does not require sealing
- Does not promote bacteria, mold or fungi
- Designed for modular recessed shelving, with choice of Hard Surface Technology (HST) or White Matte lacquer finish
- Vanities available in coordinating finishes
- Alcove installation requires separate tile flange (recommend TF.BTSB tile flange, sold separately)
- Tailpiece not included

BATHTUB SPECIFICATIONS:

Basin Area:	69¾" (1773mm) x 30½" (775mm)*
Top Area:	83½" (2120mm) x 41¾" (1060mm)
To Overflow:	3½" (90mm)*
Water Depth:	15" (380mm)*
Capacity:	77G (290L)*
Slope of Backrest:	60°*
Weight:	430lbs (195kg)*
Hot water supply req'd:	Should be 70% of water capacity of tub or greater
Warranty:	Five Year Warranty (Residential use) One Year Warranty (Commercial use)
Material:	blu-stone™
Shipping Weight:	586.4lbs (266kg)*
Shipping Dimensions:	(LWH) 103½" x 52½" x 30¼" (2630mm x 1335mm x 770mm)*

BATHTUB FINISH:
White Matte

INSTALLATION NOTES:

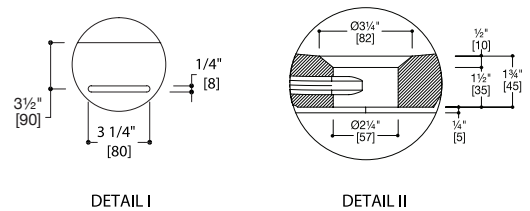
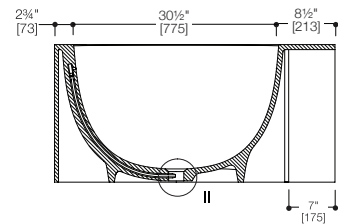
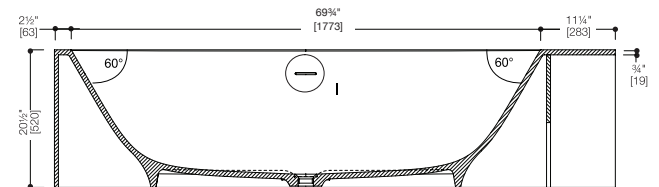
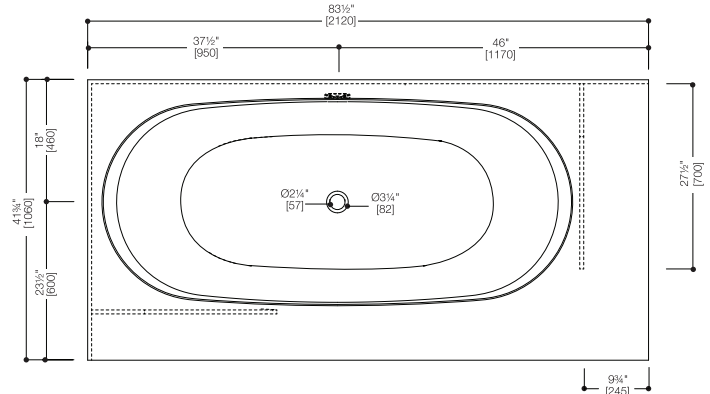
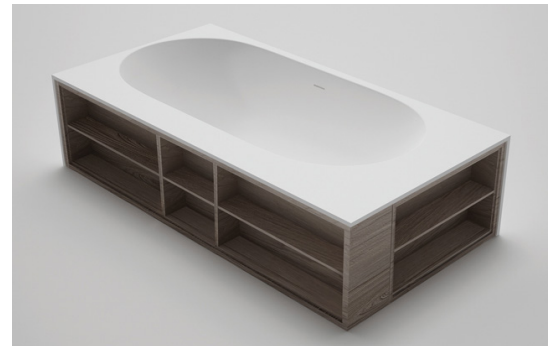
Install this product according to the installation guide. Floor support under bath must provide for a minimum of 1600 lbs (725kg). Installation will vary. Our products must be installed by certified professionals only and according to our installation guide as well as federal, provincial / state a local building codes and regulations.

CODES / STANDARDS APPLICABLE:

- Meets or exceeds ANSI / ASME standard CSA B45.5.11 / IAPMO Z124
- IAPMO / ANSI Z124.8
- CSA



*Approximate measurements for comparison only.
Note: These dimensions and specifications are subject to change without notice.

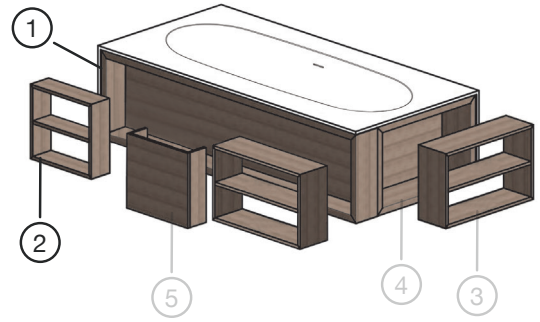


BT6700 SPECIFICATIONS

amanpuri-7 blu-stone™ bathtub with recessed shelving

RECESSED SHELVING FEATURES:

- Sustainably crafted with IDROLEB ecological panels with the lowest formaldehyde emissions in the world
- IDROLEB also ensures defence against humidity
- Available in a range of 51 collection Hard Surface Technology (HST) or a White Matte lacquer finish



FURNITURE SPECIFICATIONS:

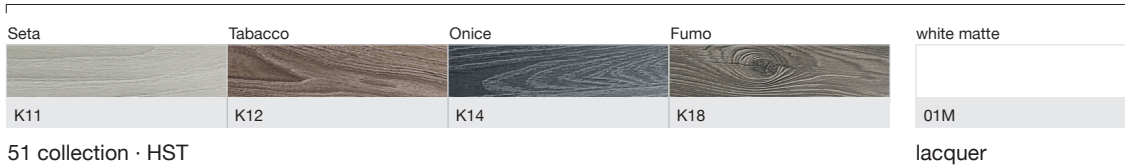
- 1: BT6701 Master Shell - (LWH) 82½" (2095mm) x 6¾" (170mm) x 9¼" (488mm)*
- 2: BT6102 Shelving Unit - (LWH) 18¾" (476mm) x 5¾" (143mm) x 17¼" (435mm)*
- 3: BT6602 Large Shelving Unit - (LWH) 32" (810mm) x 5¾" (143mm) x 17¼" (435mm)*
- 4: BT6703 Side Master Shell - (LWH) 33¾" (860mm) x 9¼" (238mm) x 19¼" (488mm)*
- 5: BT6704 Side Master Shell - (LWH) 31¾" (808mm) x 8½" (213mm) x 17¼" (435mm)*
- 6: BT6205 Deck-mount Faucet Cover - (LWH) 16¾" (424mm) x 5½" (143mm) x 17¼" (435mm)*

Warranty: Five Year Warranty (Residential use)
One Year Warranty (Commercial use)

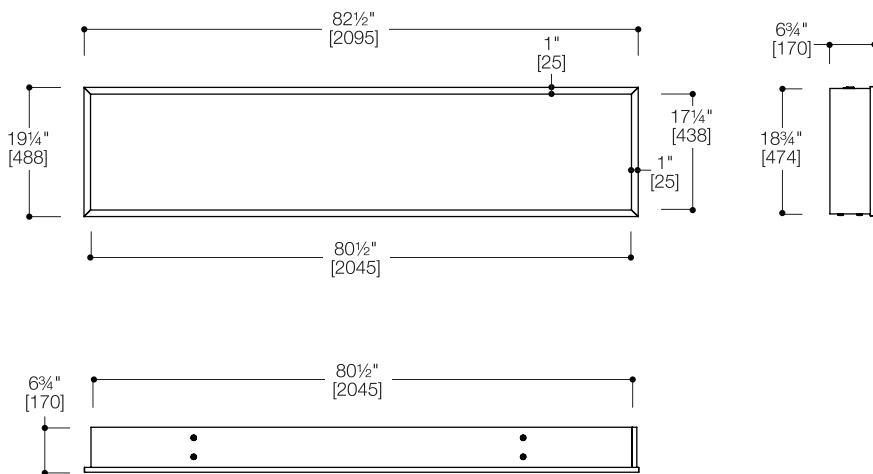
Material: Hard Surface Technology (HST) & Lacquer

SHELVING FINISHES:

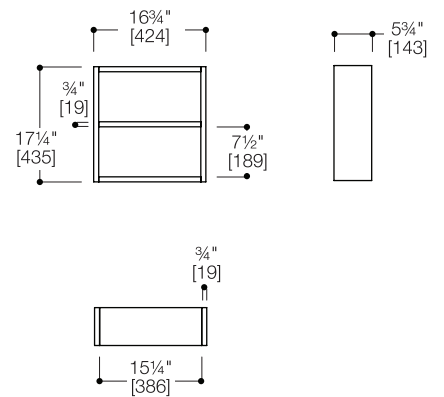
Tier B



① BT6701 master shell

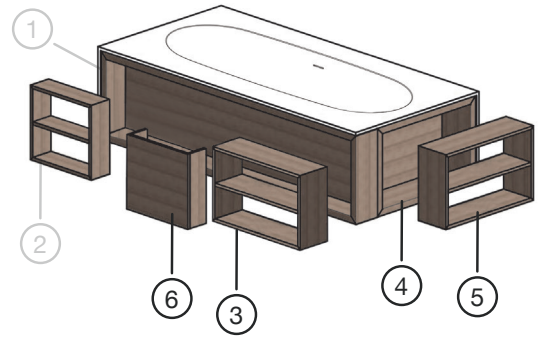


② BT6102 shelving unit

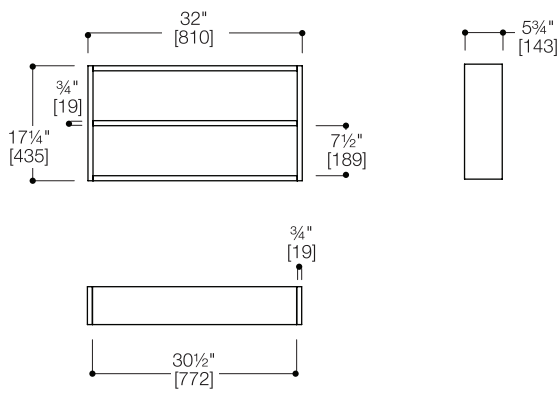


BT6700 SPECIFICATIONS

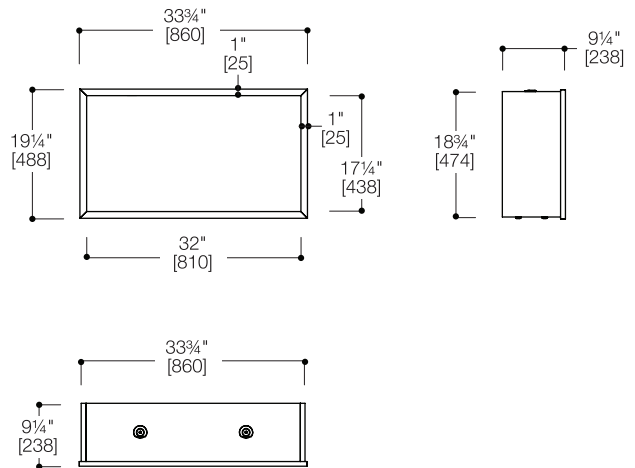
amanuri-7 blu-stone™ bathtub with recessed shelving



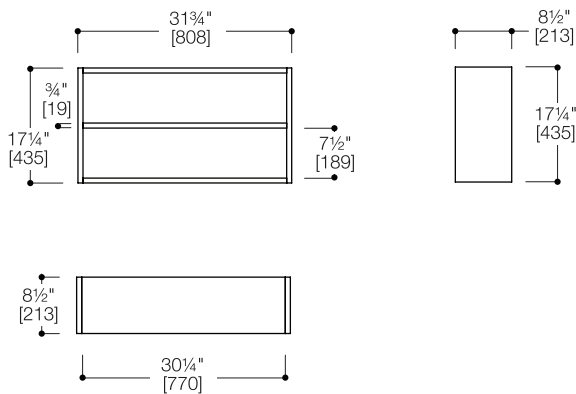
③ BT6602 large shelving unit



④ BT6703 side master shell



⑤ BT6704 side shelving unit



⑥ BT6105 deck-mount faucet cover

