

# BT6600 SPECIFICATIONS

## amanpuri-6 blu-stone™ bathtub with recessed shelving

### BATHTUB FEATURES:

- Seamless, one-piece blu-stone™ bathtub with 3-sided apron
- Suitable for freestanding or alcove installation
- 73" L x 41¾" W x 20½" H
- Soaking tub, with 77 gallon (290L) capacity
- Includes integral slot over low & matching blu-stone™ waste cover
- Center drain installation
- Extended front deck area - suitable for deck-mount faucet installation
- Made of blu-stone™, providing the look and feel of natural stone
- Stronger and more durable than acrylic
- Non-porous, stain resistant surface that does not require sealing
- Does not promote bacteria, mold or fungi
- Designed for modular recessed shelving, with choice of Hard Surface Technology (HST) or White Matte lacquer finish
- Vanities available in coordinating finishes
- Alcove installation requires separate tile flange (recommend TF.BTTSB tile flange, sold separately)
- Tailpiece not included

### BATHTUB SPECIFICATIONS:

Basin Area:	69¾" (1773mm) x 30½" (775mm)*
Top Area:	73" (1856mm) x 41¾" (1060mm)
To Overflow:	3½" (90mm)*
Water Depth:	15" (380mm)*
Capacity:	77G (290L)*
Slope of Backrest:	60°*
Weight:	494lbs (224kg)*
Hot water supply req'd:	Should be 70% of water capacity of tub or greater
Warranty:	Five Year Warranty (Residential use) One Year Warranty (Commercial use)
Material:	blu-stone™
Shipping Weight:	650lbs (295kg)*
Shipping Dimensions:	(LWH) 103½" x 52½" x 30¼" (2630mm x 1335mm x 770mm)*

### BATHTUB FINISH:

White Matte

### INSTALLATION NOTES:

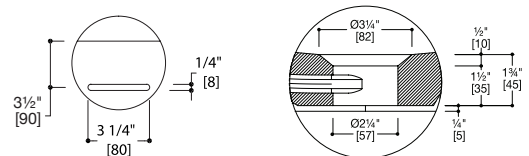
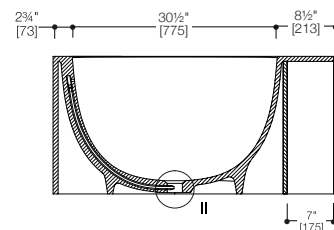
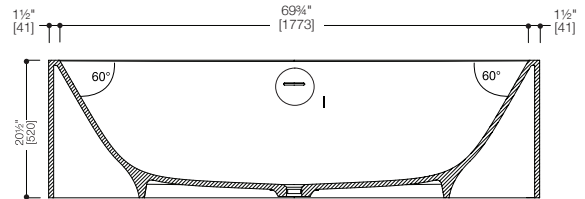
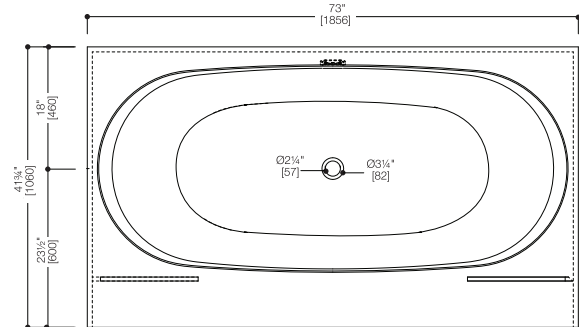
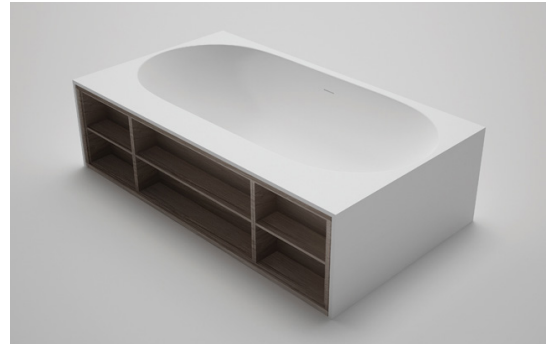
Install this product according to the installation guide. Floor support under bath must provide for a minimum of 1600 lbs (725kg). Installation will vary. Our products must be installed by certified professionals only and according to our installation guide as well as federal, provincial / state a local building codes and regulations.

### CODES / STANDARDS APPLICABLE:

- Meets or exceeds ANSI / ASME standard  
CSA B45.5.11 / IAPMO Z124
- IAPMO / ANSI Z124.8
- CSA



\*Approximate measurements for comparison only.  
Note: These dimensions and specifications are subject to change without notice.



DETAIL I

DETAIL II

# BT6600 SPECIFICATIONS

## amanpuri-6 blu-stone™ bathtub with recessed shelving

### RECESSED SHELVING FEATURES:

- Sustainably crafted with IDROLEB ecological panels with the lowest formaldehyde emissions in the world
- IDROLEB also ensures defence against humidity
- Available in a range of 51 collection Hard Surface Technology (HST) or a White Matte lacquer finish






### FURNITURE SPECIFICATIONS:

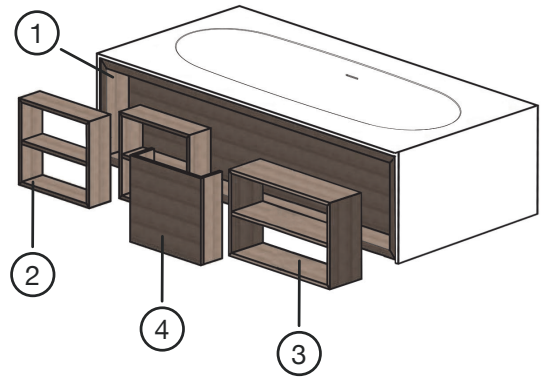
- 1: BT6601 Master Shell - (LWH) 71½" (1814mm) x 6¾" (170mm) x 19¼" (488mm)\*
- 2: BT6202 Shelving Unit - (LWH) 18¾" (476mm) x 5¾" (143mm) x 17¼" (435mm)\*
- 3: BT6602 Large Shelving Unit - (LWH) 32" (810mm) x 5¾" (143mm) x 17¼" (435mm)\*
- 4: BT6205 Deck-mount Faucet Cover - (LWH) 16¾" (424mm) x 5½" (143mm) x 17¼" (437mm)\*

Warranty: Five Year Warranty (Residential use)  
One Year Warranty (Commercial use)

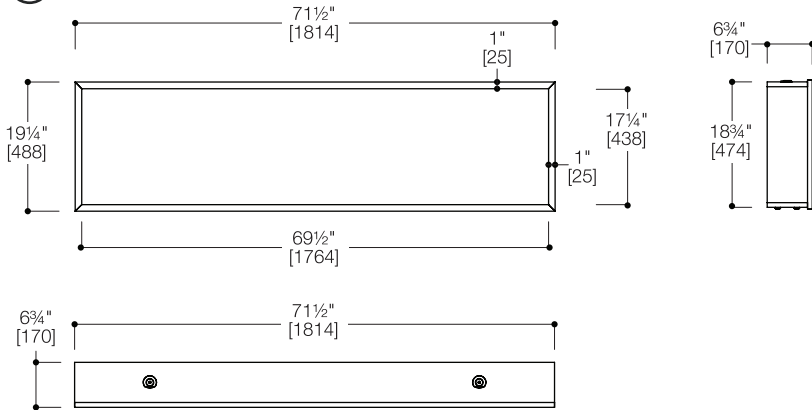
Material: Hard Surface Technology (HST) & Lacquer

### SHELVING FINISHES:

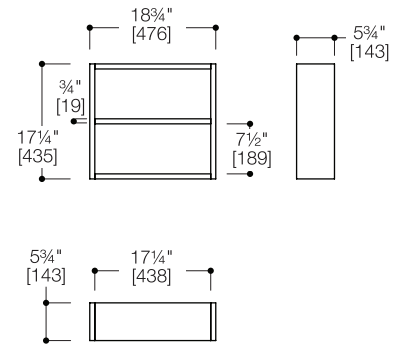
Tier B				
Seta	Tabacco	Onice	Fumo	white matte
				
K11	K12	K14	K18	01M
51 collection · HST				lacquer



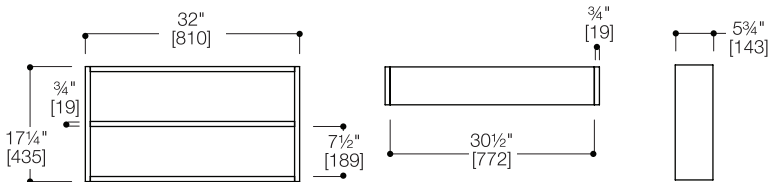
1 BT6601 master shell



2 BT6202 shelving unit



3 BT6602 large shelving unit



4 BT6205 deckmount faucet cover

