

BT6200 SPECIFICATIONS

amanpuri-2 blu-stone™ bathtub with recessed shelving

BATHTUB FEATURES:

- Seamless, one-piece blu-stone™ bathtub with 2-sided apron
- Suitable for freestanding or alcove installation
- 79¼" L x 37¾" W x 21¾" H
- Deep soaking tub, with 85 gallon (320L) capacity
- Includes integral slot overflow & matching blu-stone™ waste cover
- Adjustable leveling feet
- Left drain installation as standard
- Right drain installation available (Tier 1 item: BT6200R)
- Extended front and side deck area - suitable for deck-mount faucet installation
- Made of blu-stone™, providing the look and feel of natural stone
- Stronger and more durable than acrylic
- Non-porous, stain resistant surface that does not require sealing
- Does not promote bacteria, mold or fungi
- Designed for modular recessed shelving, with a choice of 51 collection Hard Surface Technology (HST) or White Matte lacquer finish
- Vanities & mirrors are available in coordinating finishes
- Alcove installation requires separate tile flange (recommend TF.BTSB tile flange, sold separately)
- Tailpiece not included

BATHTUB SPECIFICATIONS:

Basin Area:	65" (1650mm) x 25½" (650mm)*
Top Area:	79¼" (2010mm) x 37¾" (960)
To Overflow:	2½" (65mm)*
Water Depth:	15" (380mm)*
Capacity:	85G (320L)*
Slope of Backrest:	47°*
Weight:	461lbs (209kg)*
Hot water supply req'd:	Should be 70% of water capacity of tub or greater
Warranty:	Five Year Warranty (Residential use) One Year Warranty (Commercial use)
Material:	blu-stone™
Shipping Weight:	593lbs (269kg)*
Shipping Dimensions:	(LWH) 82" x 40½" x 22¾" (2080mm x 1030mm x 580mm)*

BATHTUB FINISH:

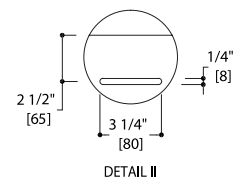
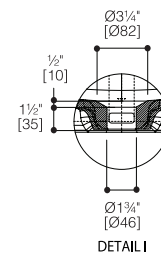
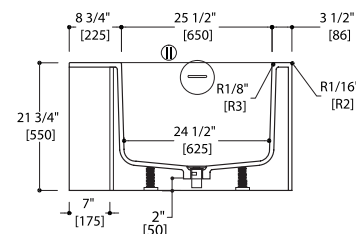
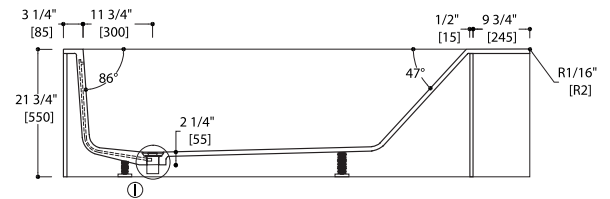
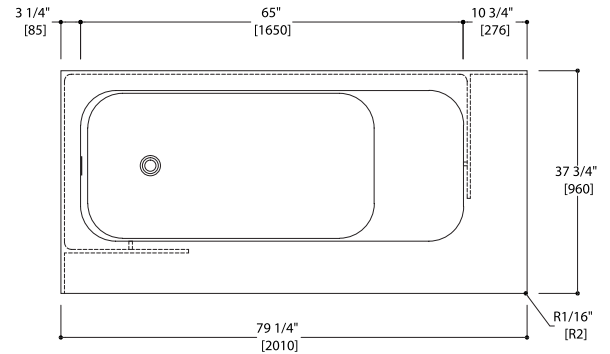
White Matte

INSTALLATION NOTES:

Install this product according to the installation guide. Floor support under bath must provide for a minimum of 1400 lbs (635kg). Installation will vary. Our products must be installed by certified professionals only and according to our installation guide as well as federal, provincial / state a local building codes and regulations.

CODES / STANDARDS APPLICABLE:

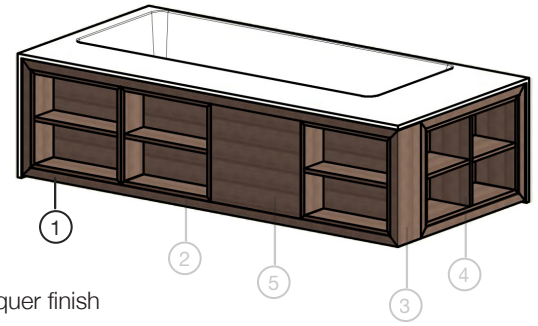
- Meets or exceeds ANSI / ASME standard CSA B45.5.11 / IAPMO Z124
- IAPMO / ANSI Z124.8
- CSA



*Approximate measurements for comparison only.
Note: These dimensions and specifications are subject to change without notice.

BT6200 SPECIFICATIONS

amanpuri-2 blu-stone™ bathtub with recessed shelving



RECESSED SHELVING FEATURES:

- Sustainably crafted with non-VOC material with the lowest formaldehyde emissions
- Water repellant wood fiber panels also ensure defence against humidity
- Available in a range of 51 collection Hard Surface Technology (HST) or White Matte lacquer finish

FURNITURE SPECIFICATIONS:

- 1: BT6201 Master Shell - (LWH) 78¼" (1985mm) x 6¾" (170mm) x 20¼" (517mm)*
- 2: BT6202 Shelving Unit - (LWH) 18¾" (476mm) x 5½" (143mm) x 17¼" (437mm)*
- 3: BT6203 Side Master Shell - (LWH) 30" (763mm) x 9½" (240mm) x 20¼" (517mm)*
- 4: BT6204 Side Shelving Unit - (LWH) 27" (684mm) x 8½" (213mm) x 17¼" (437mm)*
- 5: BT6205 Deck-mount Faucet Cover - (LWH) 18¾" (476mm) x 5½" (143mm) x 17¼" (437mm)*

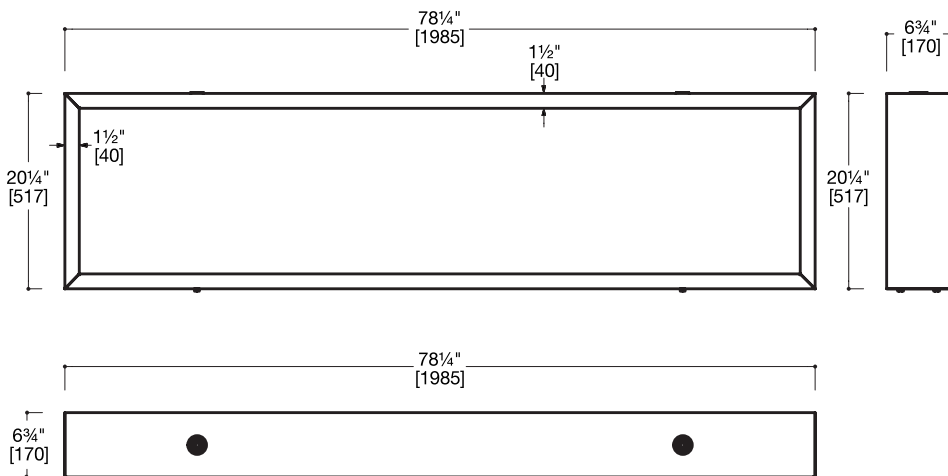
Warranty: Five Year Warranty (Residential use)
One Year Warranty (Commercial use)

Material: Hard Surface Technology (HST) & Lacquer

SHELVING FINISHES:

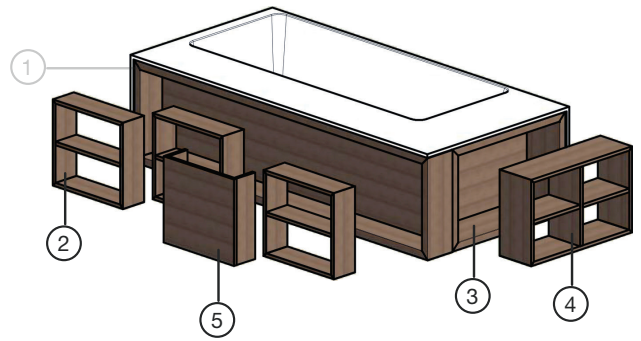
Stocked	Tier B				
white matte	Seta	Tabacco	Onice	Bianco	Fumo
01M	K11	K12	K14	K16	K18
lacquer	51 collection · HST				

① BT6201 master shell

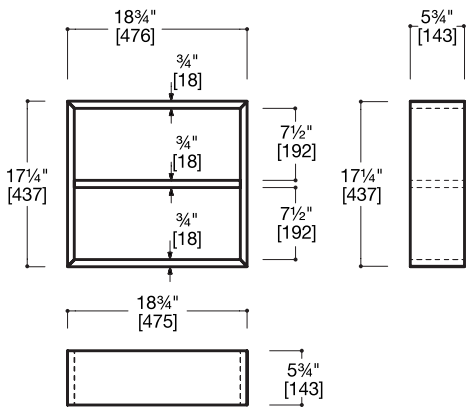


BT6200 SPECIFICATIONS

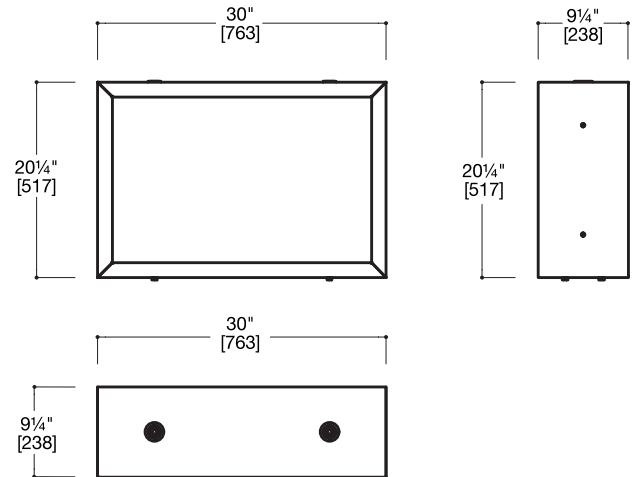
amanpuri-2 blu-stone™ bathtub with recessed shelving



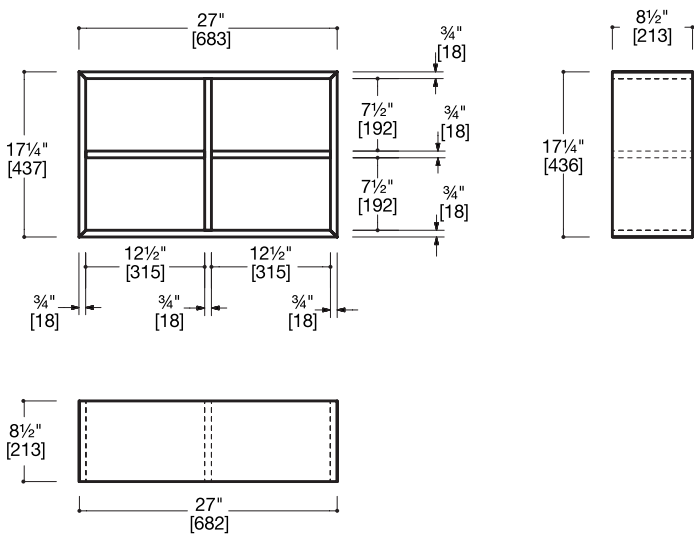
② BT6202 shelving unit



③ BT6203 side master shell



④ BT6204 side shelving unit



⑤ BT6205 deck-mount faucet cover

