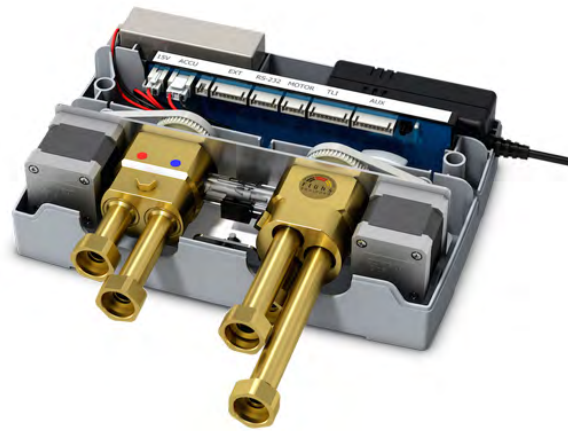


# DUO·3 three outlet electronica thermostatic control mixer

Installation Guide



TEE030SV

## Attention – Before Installation

1. Inspect this product to ensure you have all parts as shown that are required for proper installation.
2. This product must be installed by a professional contractor.
3. Refer to the specification and assembly drawings attached for installation directions.

## Installation Requirements

Please read the instructions carefully so as to avoid any damage to the fixture.

1. To ensure this product is installed properly, you must read and follow these guidelines.
2. Be sure your installation conforms to local codes.
3. Refer to the specification and assembly drawings attached.
4. Use only a strap wrench or protected/smooth-jaw wrench on any finished surface.
5. Do NOT use putty during this installation.

## Cleaners For Fittings And Accessories

To avoid damaging the surface and working components of the fittings, certain precautions must be taken in terms of usage and subsequent cleaning as many cleaning agents contain acids for general cleaning and removing calcium deposits. When caring for your fittings and accessories, please note the following:

- Only apply cleaners which are expressly intended for the use
- Never use any cleaner containing hydrochloric acid, formic acid or acetic acid on or near the fitting, as they can cause considerable damage
- Do not use cleaners containing phosphoric acid
- Do not use cleaners containing chlorine bleach solutions
- Never mix or combine cleaning agents
- Abrasive cleaners and unsuitable scouring agents such as scouring pads

## Technical Support Assistance

If further assistance is required, please contact:

Product Support at 1.866.907.0122 (09:00 – 17:00hrs PST) or email [technical@blubathworks.com](mailto:technical@blubathworks.com)

### North America

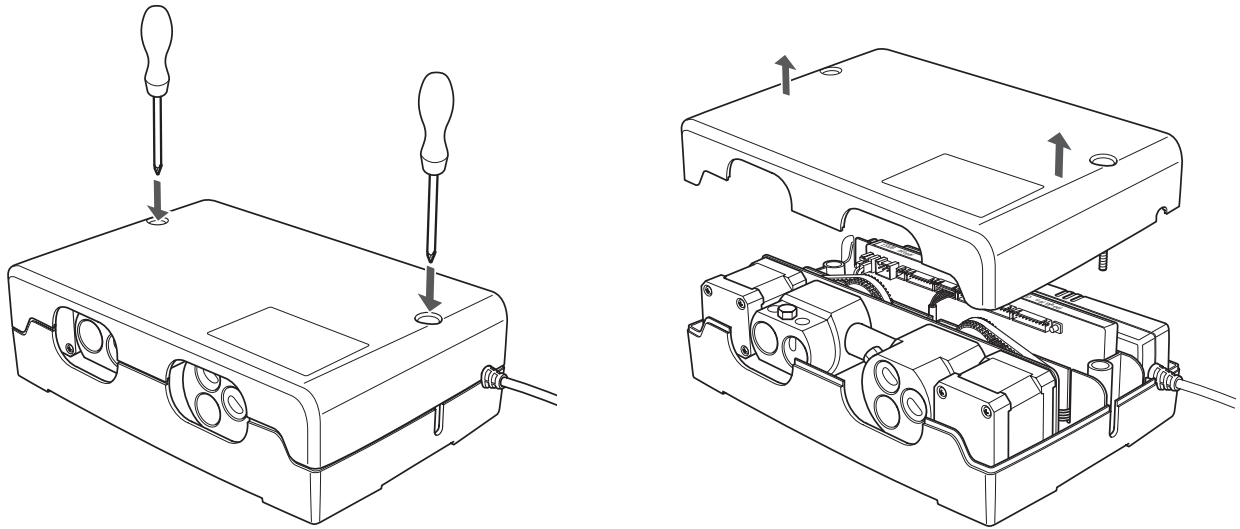
Blu Bathworks Inc.

188 Smithe Street, Vancouver, BC, Canada, V6B 6A9

T +1.604.299.0122 F +1.604.299.0125

Please refer to [blubathworks.com](http://blubathworks.com) for warranty, terms & conditions under warranty & procedure for warranty service.

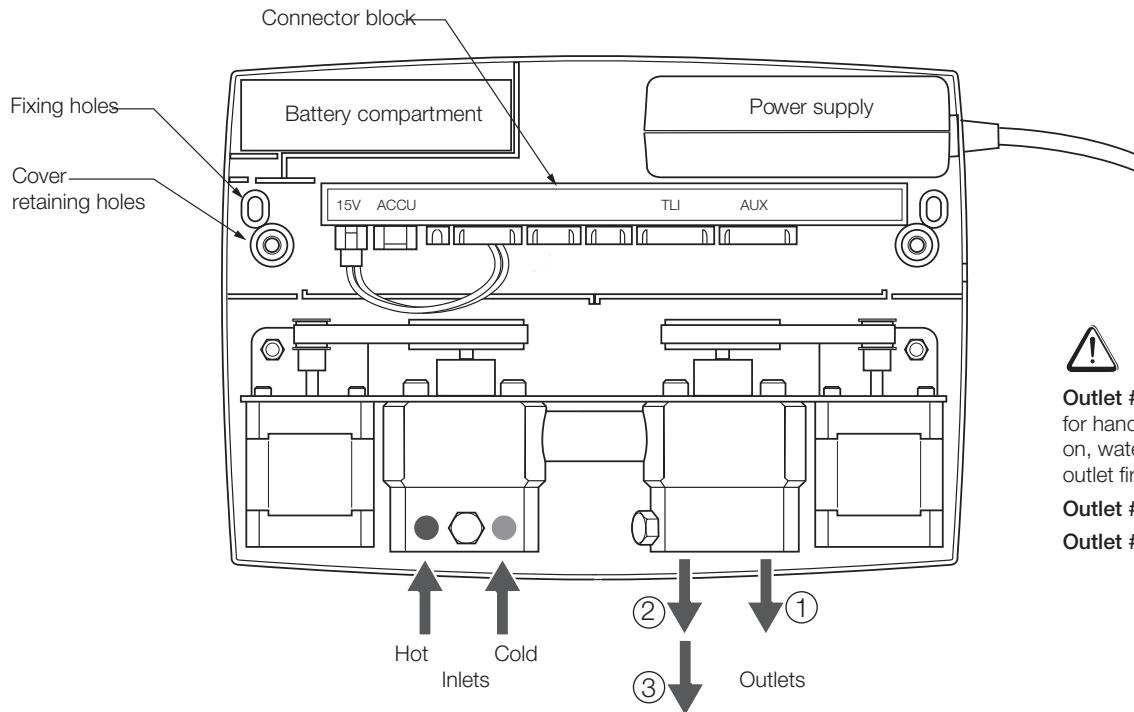
## Step 1 - connecting the control mixer for shower installation



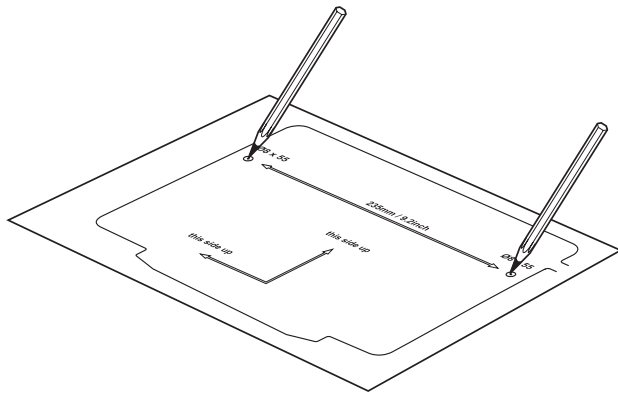
Remove the control mixer cover.

Important: The control mixer must be installed in a dry area that is accessible for future maintenance

## Step 2 - components of three outlet thermostatic mixer

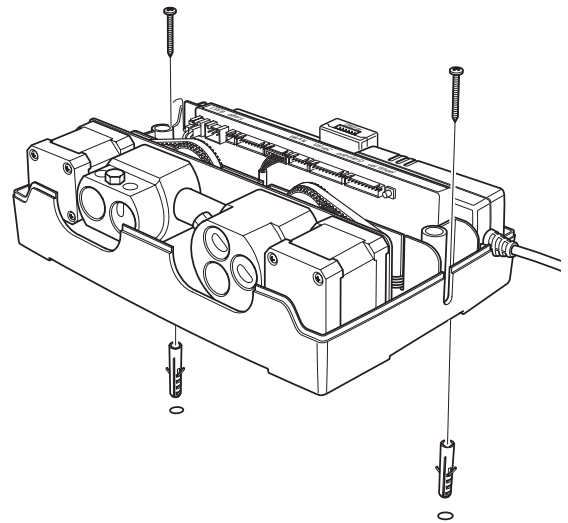


### Step 3

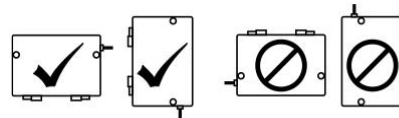


If required, use the supplied template (provided in the install guide) to mark the position of the control mixer fixing holes in the selected location.

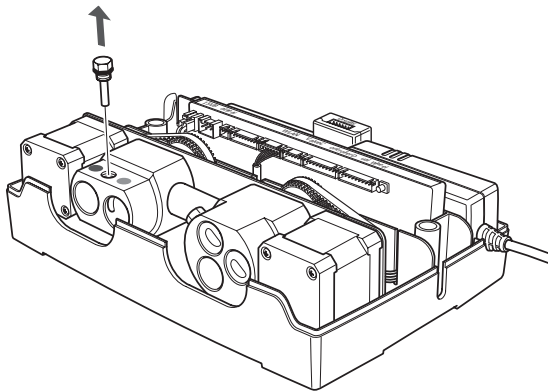
### Step 4



Fix the control box in position using the screw kit supplied.

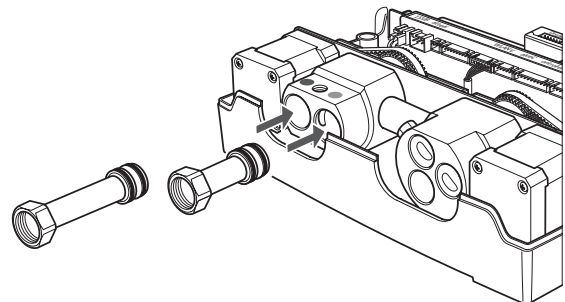


### Step 5



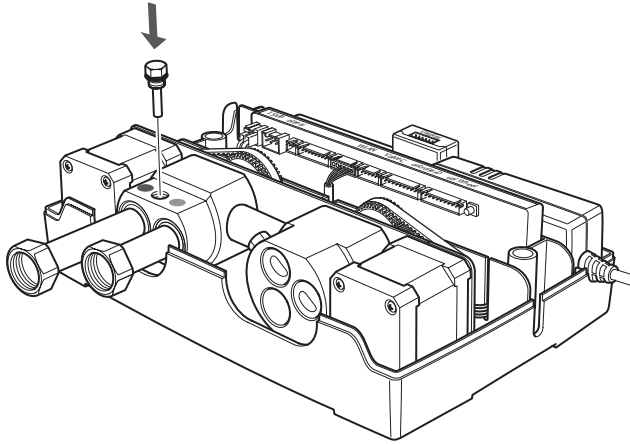
Remove the inlet connectors' retaining bolt.

### Step 6



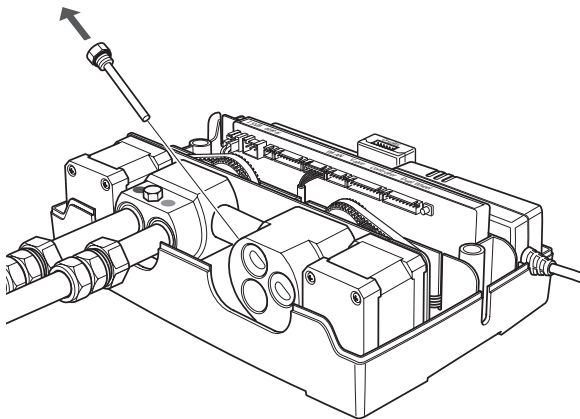
Fully insert the inlet connectors into the inlet valves (one long and one short connector).

## Step 7



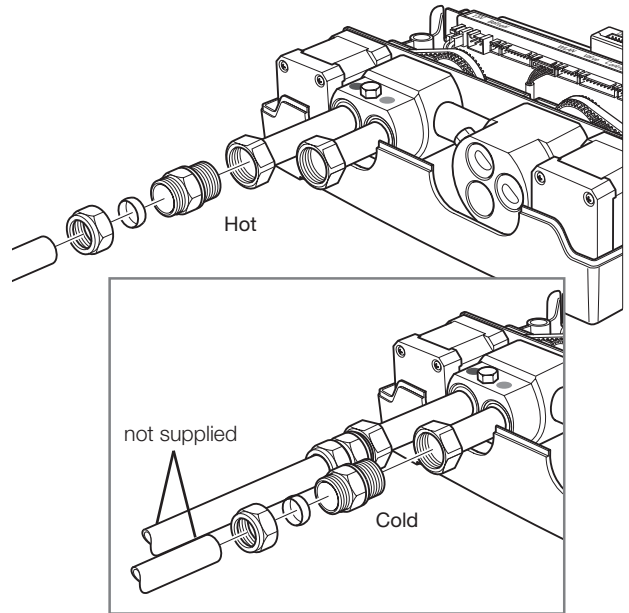
Re-insert the inlet connectors retaining bolt.

## Step 9



Remove the outlet connectors' retaining bolt.

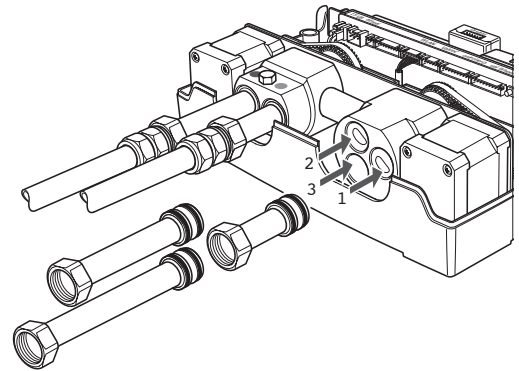
## Step 8



★ **Important:** Flush through the pipework before connection.

★ Filter screen for inlet is highly recommended.  
Attach the NPT adaptors to the hot & cold water supply connections.

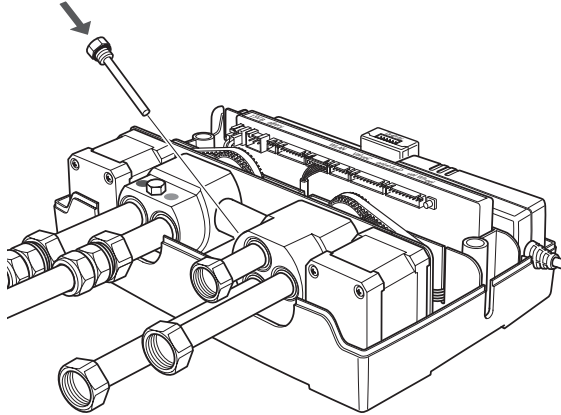
## Step 10



Fully insert the outlet connectors into the outlet valves (one long and one short connector).

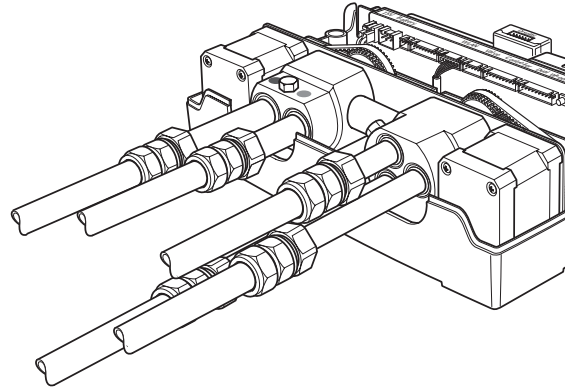
⚠ **Note:** Outlet #1 is the default outlet. When turned on, water will flow through this outlet first. Which is the hand shower icon on the electronica Vision Wheel TEE300.

## Step 11



Re-insert the outlet connectors retaining bolt.

## Step 12



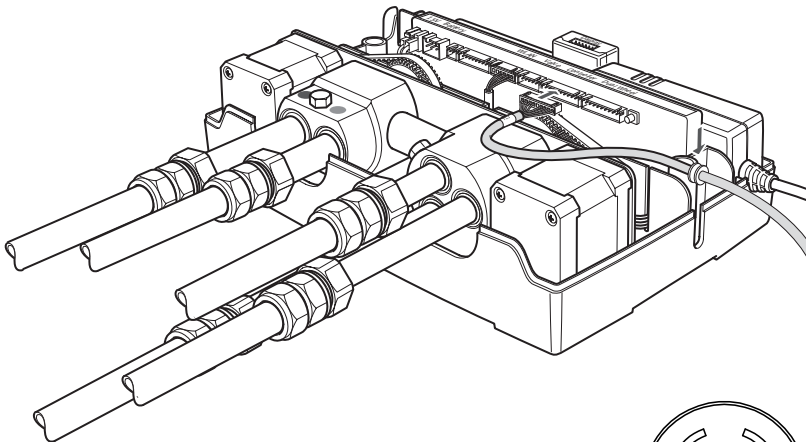
Attach the supplied NPT adaptor pipework to the outlet connectors.

Make a note of which pipe goes to which outlet.

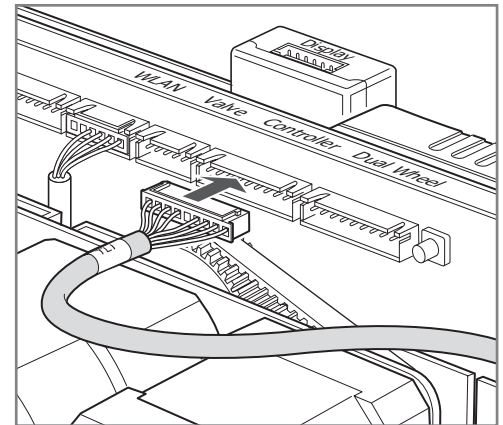
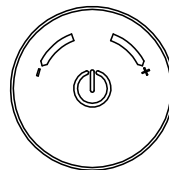
Note: Make sure that the pipework is perpendicular to the control box so that there is no strain on the fittings, use pipe clips as required.

Run a pipe from the mixed water outlet on the control box through the wall to the proposed position of the shower hose outlet etc.

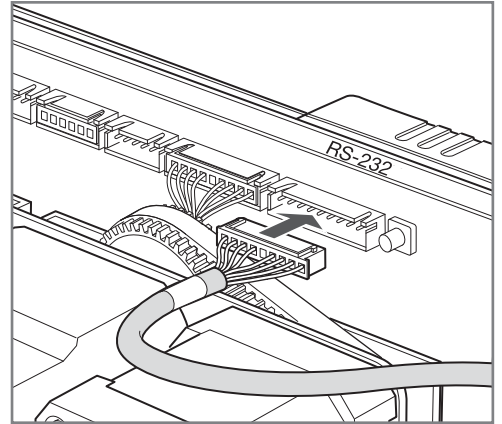
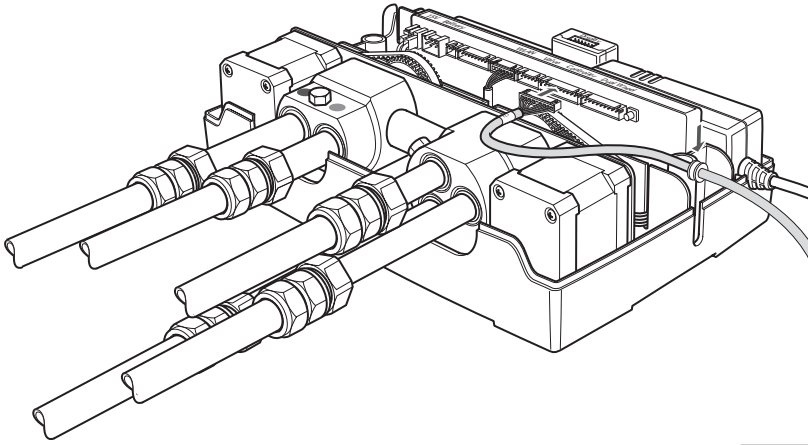
## Step 13



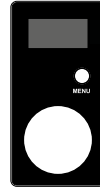
Connect the data cable from the on-off control to the 'TLI' port in the control box.



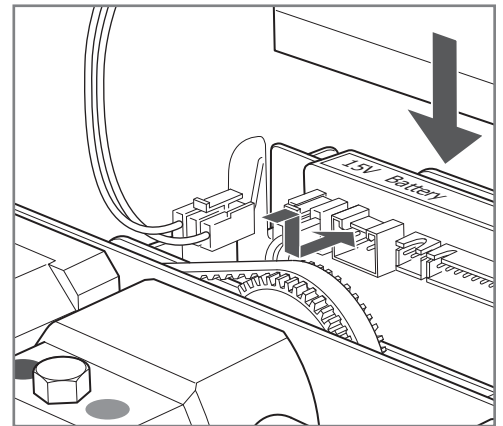
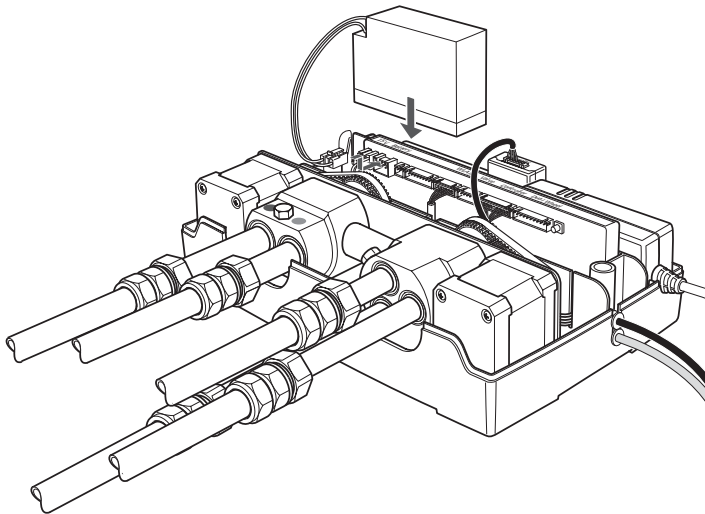
## Step 14 - connect Vision Wheel interface control data cable



Connect the data cable from the Vision Wheel interface connection in the "RS-232" port in the control box.

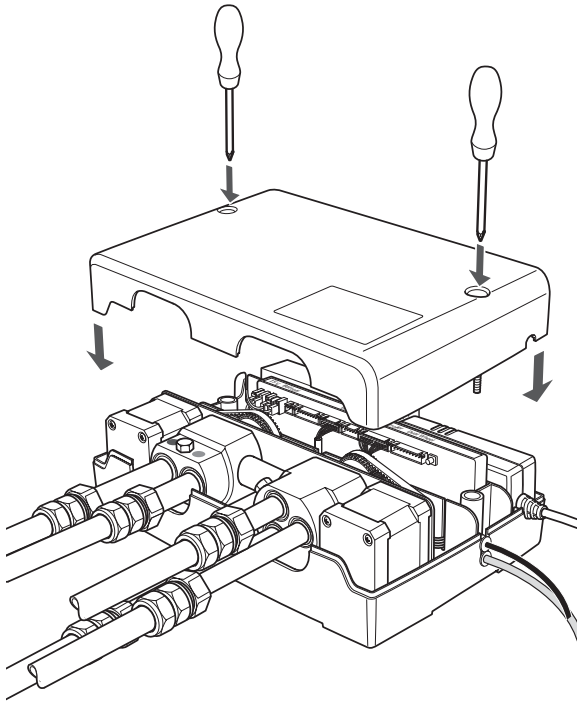


## Step 15 - connect the back-up battery



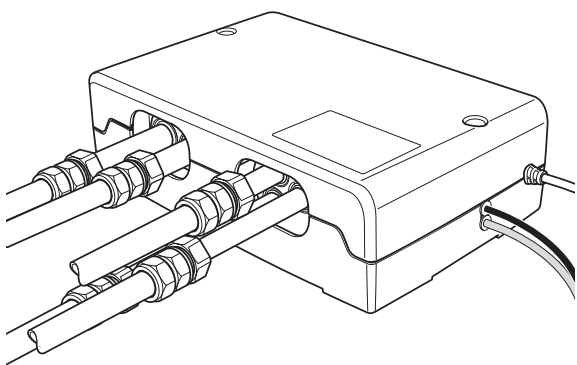
Connect the battery cable to the "Battery for battery back-up" connection and place the battery in the compartment.

## Step 16



Refit the control box cover.

## Step 17



Connect an all-pole mains switch in the electrical installation in accordance with the current wiring regulations.

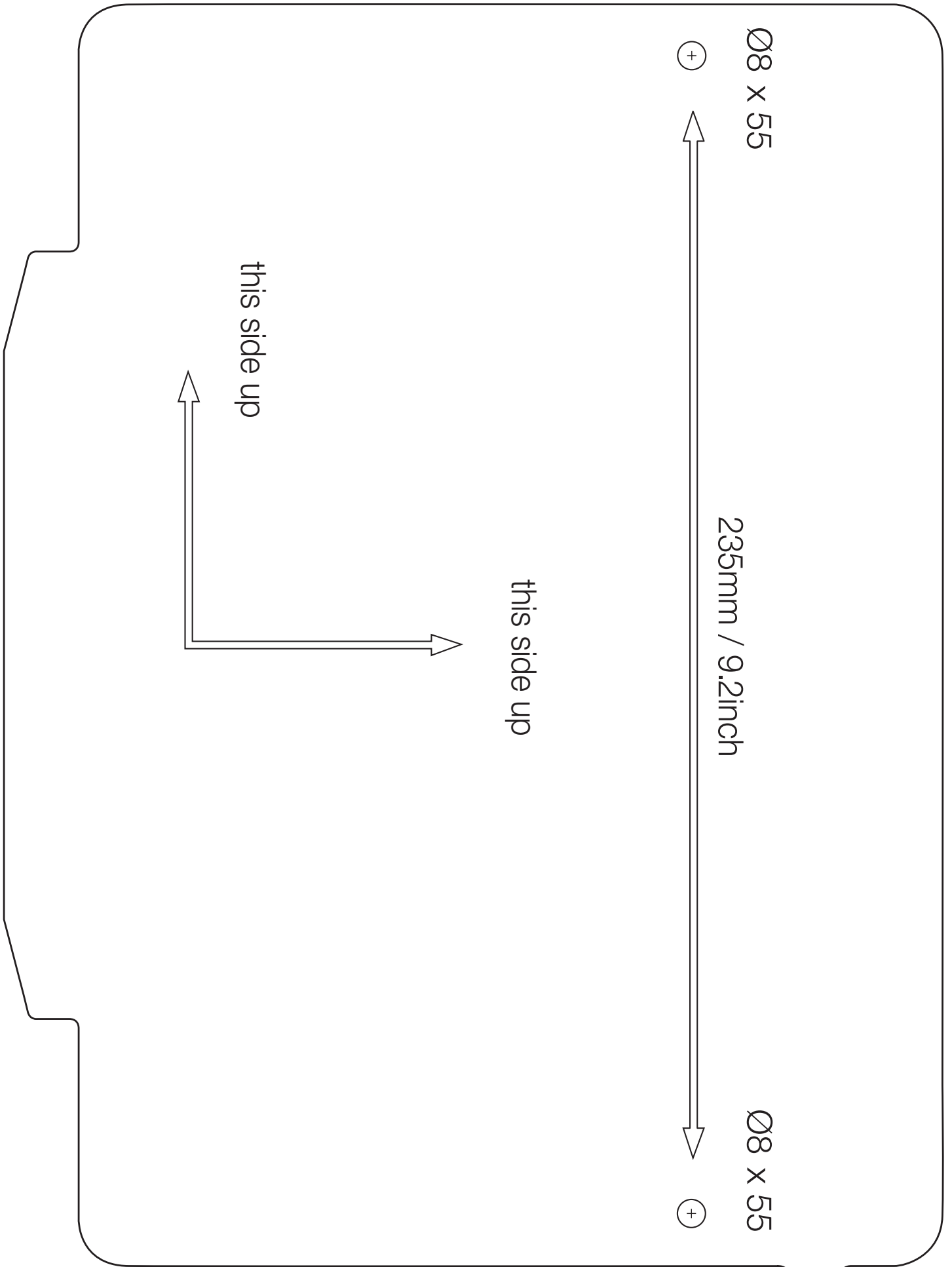


Note:

- the electrical installation and testing must be carried out by a qualified electrician
- Electrical connections and the minimum distances between water and electricity connections must be installed or laid out in accordance with the valid national regulations.
- Equipment for protection against faulty currents must be installed (residual current circuit breaker), N=30mA
- All work on the electronic components must be only carried out under absence of voltage

Note: Damages to the faucet resulting from incorrect handling and installation are not covered in the manufacturer's warranty.





Note: Diagram is to scale. Ensure when printing that image size is at 100%.