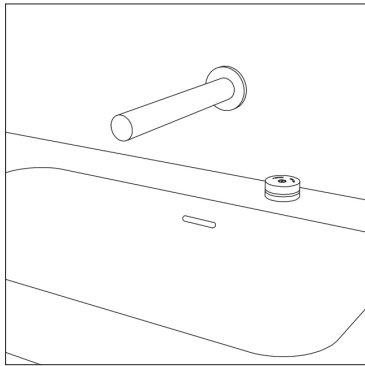
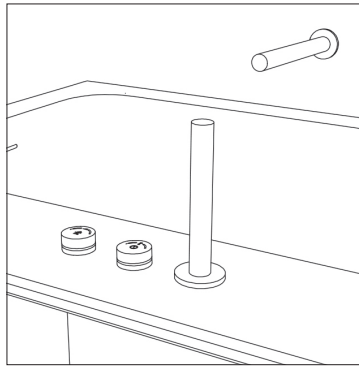


# electronica deck-mount control wheel kit

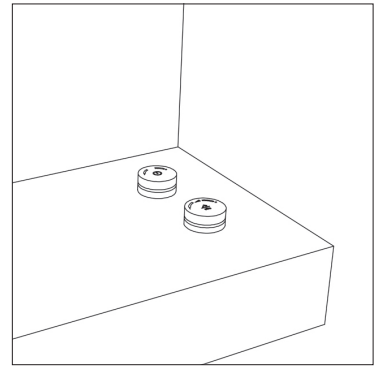
## Installation Guide



PT7002  
UNO · basin



PT7004  
DUO-1 · bathtub



PT7006  
DUO-2 · shower

## Attention – Before Installation

1. Inspect this product to ensure you have all parts as shown that are required for proper installation.
2. This product must be installed by a professional contractor.
3. Refer to the specification and assembly drawings attached for installation directions.

## Installation Requirements

Please read the instructions carefully so as to avoid any damage to the fixture.

1. To ensure this product is installed properly, you must read and follow these guidelines.
2. Be sure your installation conforms to local codes.
3. Refer to the specification and assembly drawings attached.
4. Use only a strap wrench or protected/smooth-jaw wrench on any finished surface.
5. Do NOT use putty during this installation.

## Cleaners For Fittings And Accessories

To avoid damaging the surface and working components of the fittings, certain precautions must be taken in terms of usage and subsequent cleaning as many cleaning agents contain acids for general cleaning and removing calcium deposits. When caring for your fittings and accessories, please note the following:

- Only apply cleaners which are expressly intended for the use
- Never use any cleaner containing hydrochloric acid, formic acid or acetic acid on or near the fitting, as they can cause considerable damage
- Do not use cleaners containing phosphoric acid
- Do not use cleaners containing chlorine bleach solutions
- Never mix or combine cleaning agents
- Abrasive cleaners and unsuitable scouring agents such as scouring pads

## Technical Support Assistance

If further assistance is required, please contact:

Product support at 1.866.907.0122 (09:00 - 17:00hrs PST) or email [technical@blubathworks.com](mailto:technical@blubathworks.com)

### North America

Blu Bathworks Inc.

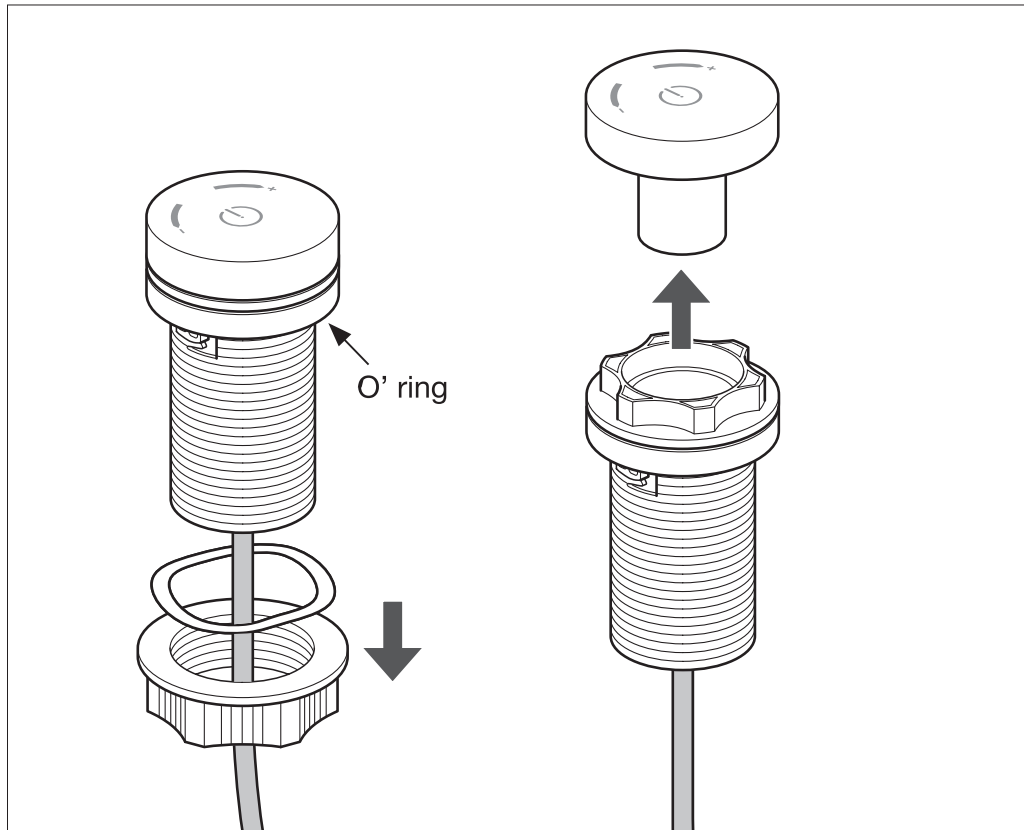
188 Smithe Street, Vancouver BC, Canada, V6B 6A9

T+1.604.299.0122 F+1.604.299.0125

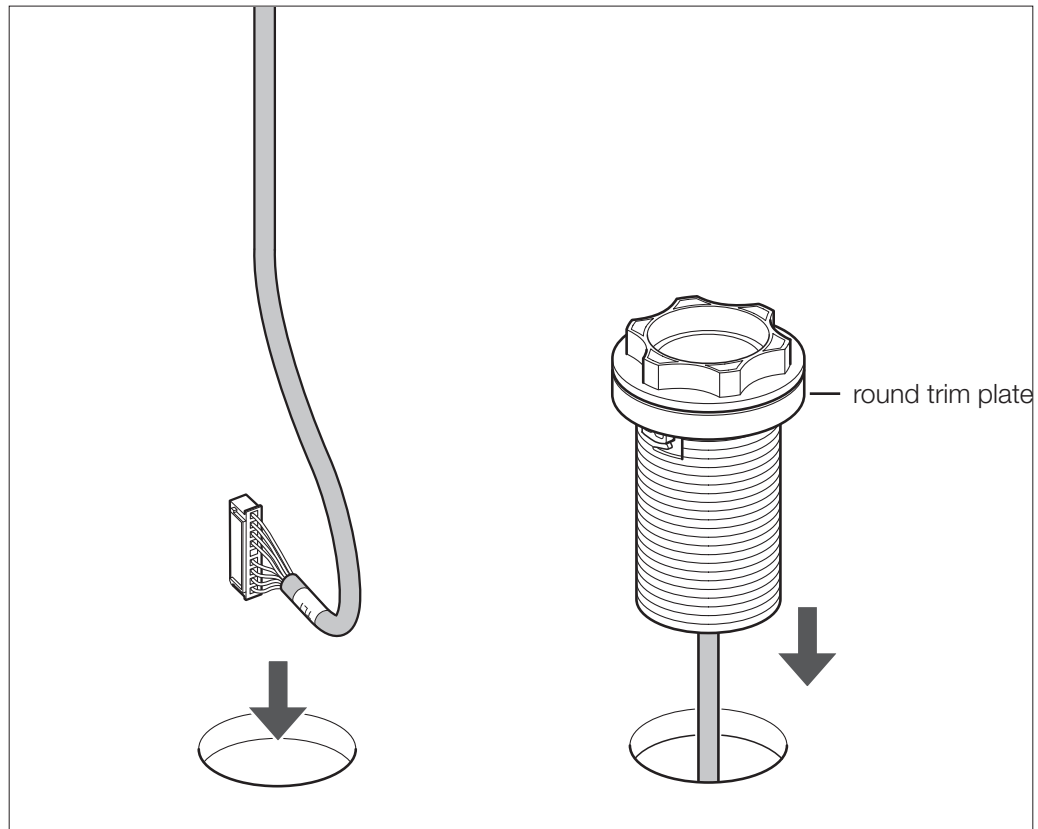
**Please refer to [blubathworks.com](http://blubathworks.com) for warranty, terms & conditions under warranty & procedure for warranty service.**

# 1

**Note:** The diagrams in this install indicate single wheel for basin installation (PT7002).  
For dual wheel installation (PT7004/PT7006) duplicate these steps.

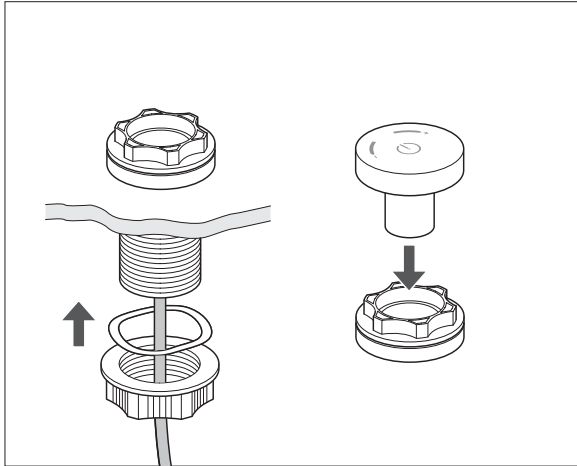


- Unscrew and remove the nut and washer from the controller unit and data cables.
- Carefully pull the 'front' control wheel off the controls, taking care not to mix them up.  
(In case of dual wheel reference PT7004 & PT7006)



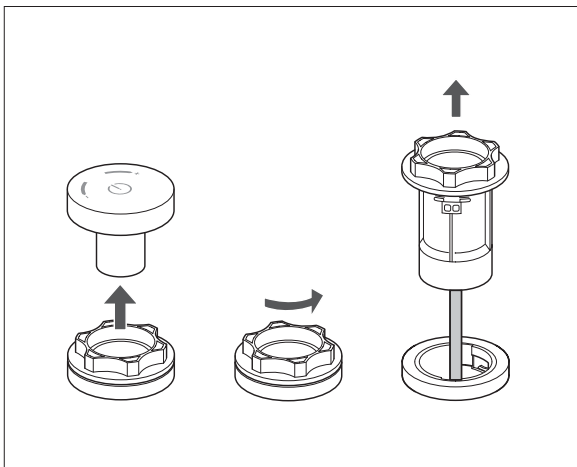
- Prepare the basin/countertop or the tub to take the controller unit. 35mm / 1½" diameter holes are required to fit the threaded sleeve.
- Feed the control data cables through the holes, then insert the controller unit.

---

**3**

- Feed the washer and nut onto the control data cables.
- Hand tighten onto the controller unit bodies. Help may be required at this stage.
- Push fit the 'front' control wheels onto controller unit.

---

**4**

- If required the controller unit can be removed from the controller unit/threaded sleeve by pulling off the front control wheel, turning the controller unit counter-clockwise and lifting out.
- To refit, position the controller unit's in the slots and turn clockwise.

---

**5**

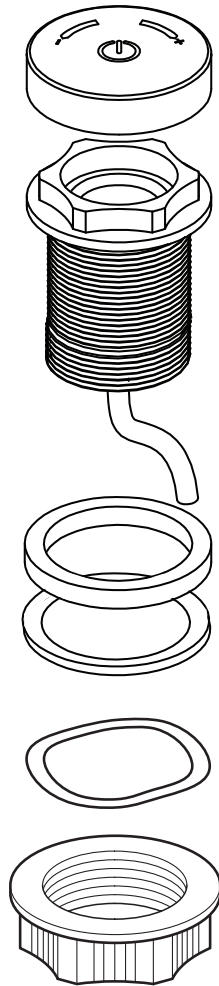
- Repeat steps 1-4 for the second wheel in case of PT7004 & PT7006

---

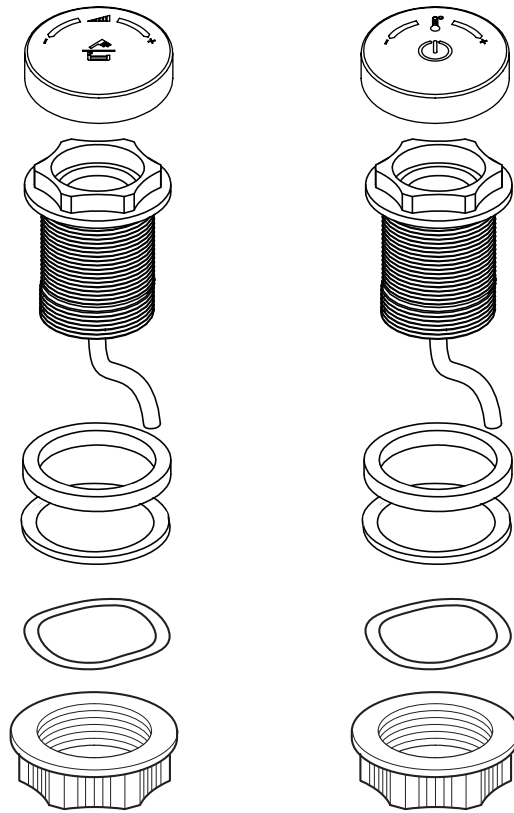
**6**

- Connect the data cable(s) control to the relevant control mixer.  
(see install guide for TEE016, TEE030 or TEE030S)

PT7002



PT7004



PT7006

