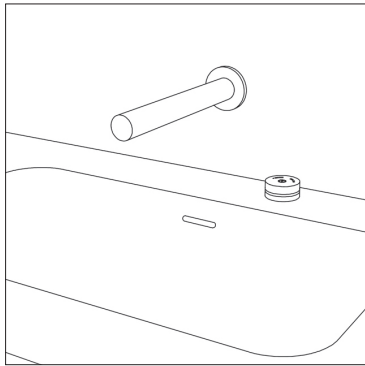
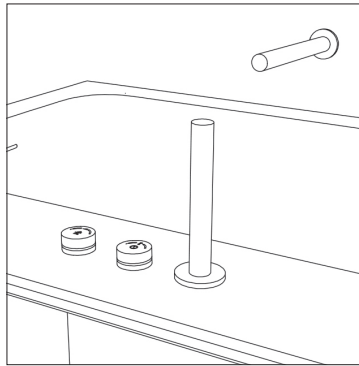


electronica deck-mount control wheel kit

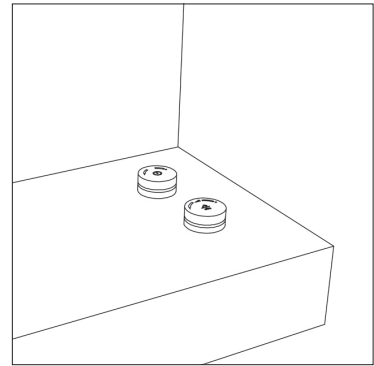
Installation Guide



PT7002
UNO · basin



PT7004
DUO-1 · bathtub



PT7006
DUO-2 · shower

Attention – Before Installation

1. Inspect this product to ensure you have all parts as shown that are required for proper installation.
2. This product must be installed by a professional contractor.
3. Refer to the specification and assembly drawings attached for installation directions.

Installation Requirements

Please read the instructions carefully so as to avoid any damage to the fixture.

1. To ensure this product is installed properly, you must read and follow these guidelines.
2. Be sure your installation conforms to local codes.
3. Refer to the specification and assembly drawings attached.
4. Use only a strap wrench or protected/smooth-jaw wrench on any finished surface.
5. Do NOT use putty during this installation.

Cleaners For Fittings And Accessories

To avoid damaging the surface and working components of the fittings, certain precautions must be taken in terms of usage and subsequent cleaning as many cleaning agents contain acids for general cleaning and removing calcium deposits. When caring for your fittings and accessories, please note the following:

- Only apply cleaners which are expressly intended for the use
- Never use any cleaner containing hydrochloric acid, formic acid or acetic acid on or near the fitting, as they can cause considerable damage
- Do not use cleaners containing phosphoric acid
- Do not use cleaners containing chlorine bleach solutions
- Never mix or combine cleaning agents
- Abrasive cleaners and unsuitable scouring agents such as scouring pads

Technical Support Assistance

If further assistance is required, please contact:

Product support at 1.866.907.0122 (09:00 - 17:00hrs PST) or email technical@blubathworks.com

North America

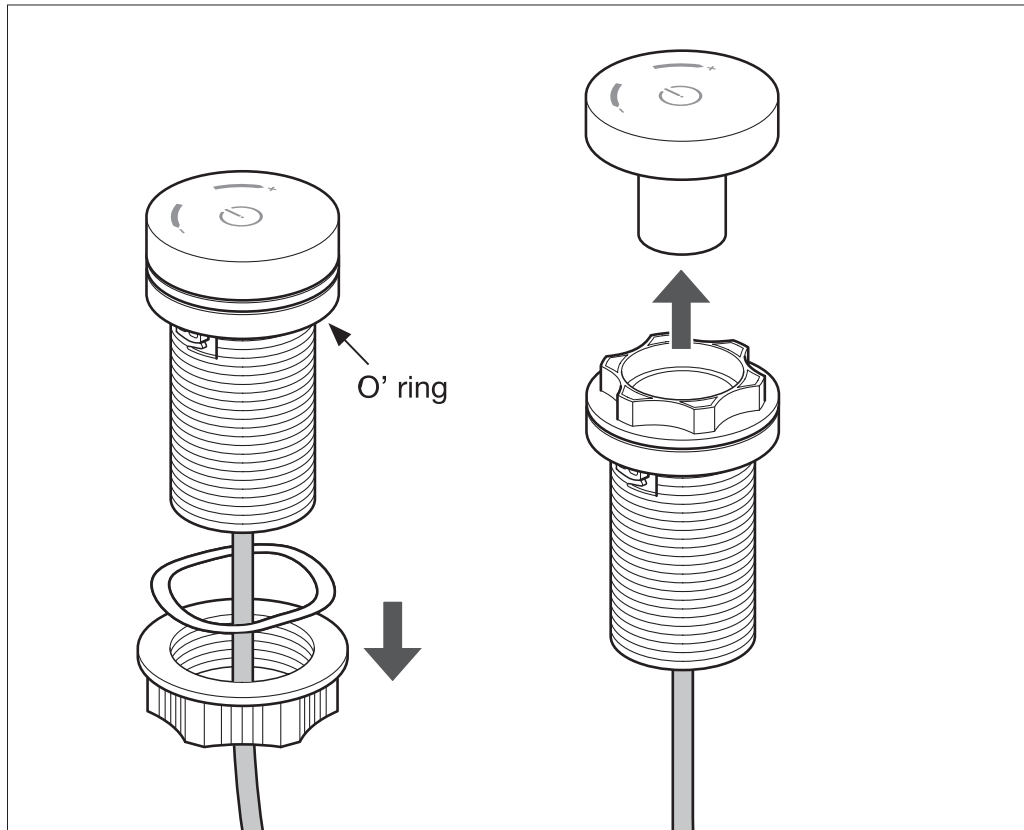
Blu Bathworks Inc.

188 Smithe Street, Vancouver BC, Canada, V6B 6A9

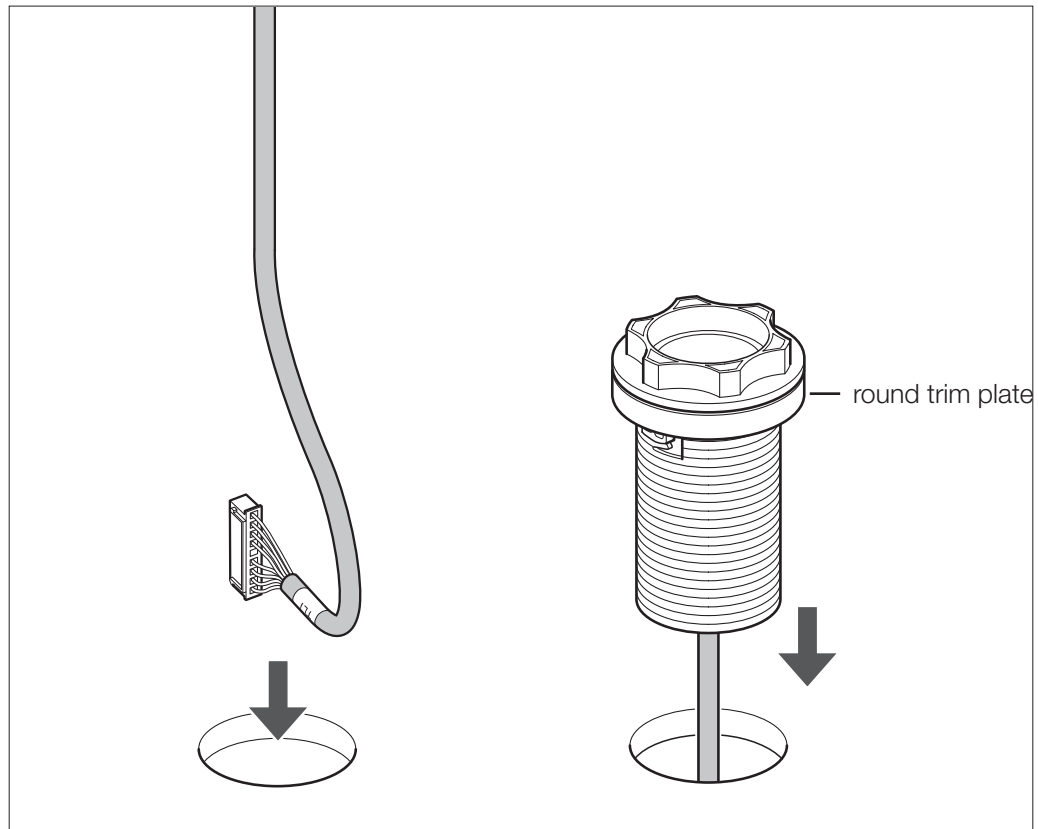
T+1.604.299.0122 F+1.604.299.0125

1

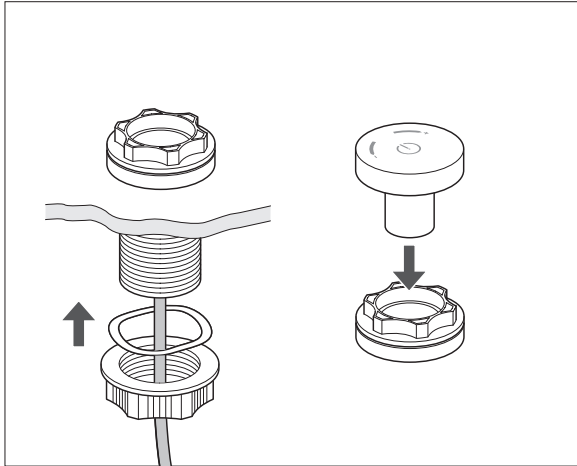
Note: The diagrams in this install indicate single wheel for basin installation (PT7002).
For dual wheel installation (PT7004/PT7006) duplicate these steps.



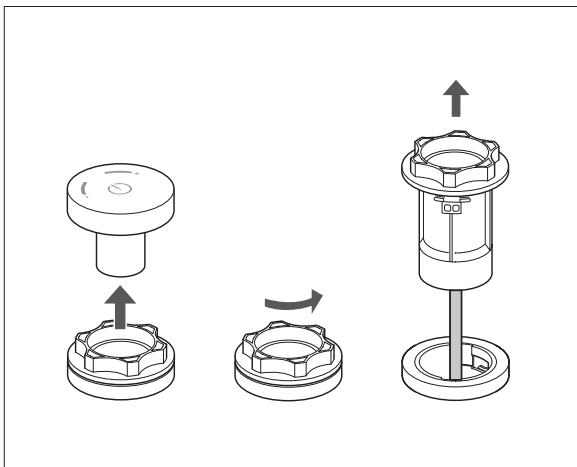
- Unscrew and remove the nut and washer from the controller unit and data cables.
- Carefully pull the 'front' control wheel off the controls, taking care not to mix them up.
(In case of dual wheel reference PT7004 & PT7006)



- Prepare the basin/countertop or the tub to take the controller unit. 35mm / 1½" diameter holes are required to fit the threaded sleeve.
- Feed the control data cables through the holes, then insert the controller unit.

3

- Feed the washer and nut onto the control data cables.
- Hand tighten onto the controller unit bodies. Help may be required at this stage.
- Push fit the 'front' control wheels onto controller unit.

4

- If required the controller unit can be removed from the controller unit/threaded sleeve by pulling off the front control wheel, turning the controller unit counter-clockwise and lifting out.
- To refit, position the controller unit's in the slots and turn clockwise.

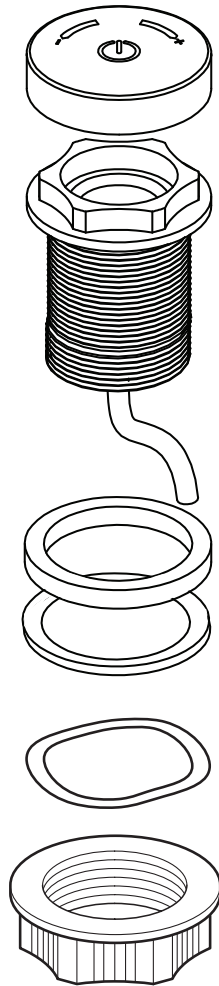
5

- Repeat steps 1-4 for the second wheel in case of PT7004 & PT7006

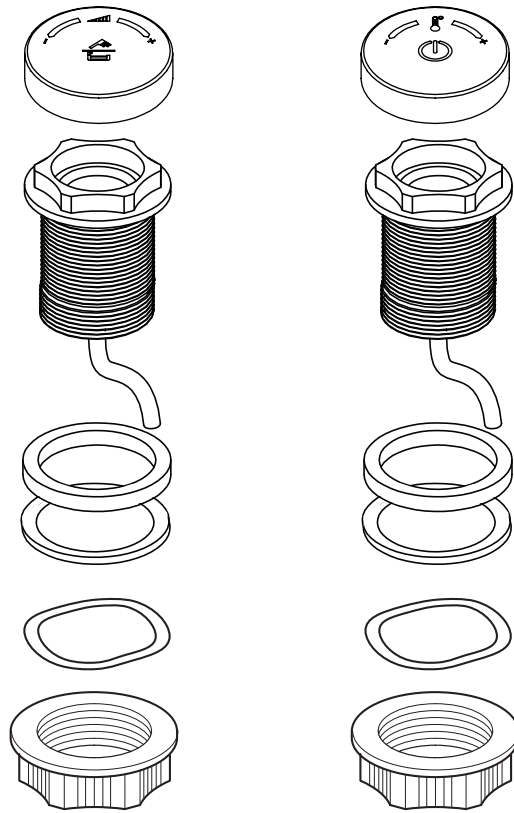
6

- Connect the data cable(s) control to the relevant control mixer.
(see install guide for TEE015, TEE030 or TEE030S)

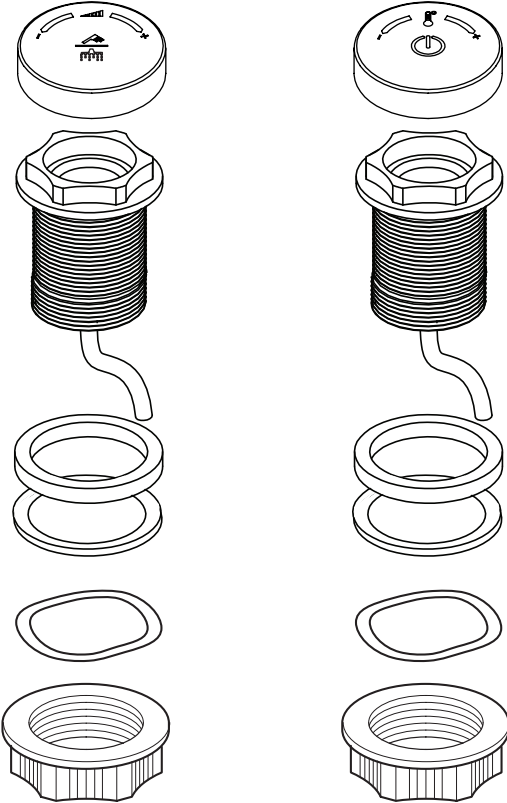
PT7002



PT7004



PT7006



warranty

LIMITED FURNITURE RESIDENTIAL WARRANTY

Blu Bathworks® ("Blu") furniture products are warranted to the original purchaser to be free from defects in all material and workmanship during normal residential use for a period of five (5) years from the date of purchase. Blu will, at its election, repair, provide a replacement part or product, or make appropriate adjustment, subject to the terms and conditions set forth in this warranty.

LIMITED CERAMICS RESIDENTIAL WARRANTY

Blu Bathworks® ("Blu") ceramic products are warranted to the original purchaser to be free from defects in all material and workmanship during normal residential use for a period of one (1) year from the date of purchase. Blu will, at its election, repair, provide a replacement part or product, or make appropriate adjustment, subject to the terms and conditions set forth in this warranty.

LIMITED blu-stone™ RESIDENTIAL WARRANTY

Blu Bathworks® ("Blu") blu-stone™ products are warranted to the original purchaser to be free from defects in all material and workmanship during normal residential use for a period of five (5) years from the date of purchase. Blu will, at its election, repair, provide a replacement part or product, or make appropriate adjustment, subject to the terms and conditions set forth in this warranty. Blu Bathworks® does not recommend exceeding US/Canada maximum hot water temperature regulations of 150°F/65°C, respectively. Exceeding stated temperatures could result in damage to blu.stone basins and bathtubs.

LIMITED ACRYLIC BATHTUBS RESIDENTIAL WARRANTY

Blu Bathworks® ("Blu") acrylic bathtubs are warranted to the original purchaser to be free from defects in all material and workmanship during normal residential use for a period of five (5) years from the date of purchase. Blu will, at its election, repair, provide a replacement part or product, or make appropriate adjustment, subject to the terms and conditions set forth in this warranty.

LIMITED TAPWARE RESIDENTIAL WARRANTY

Blu Bathworks® ("Blu") tapware products are warranted to the original purchaser to be free from defects in all mechanical parts and polished chrome finishes during normal residential use for as long as the original purchaser owns his or her home. Blu will, at its election, repair, provide a replacement part or product, or make appropriate adjustment, subject to the terms and conditions set forth in this warranty.

LIMITED ELECTRONICA TAPWARE RESIDENTIAL WARRANTY

Blu Bathworks® ("Blu") electronica tapware products are warranted to the original purchaser to be free from defects in all electronic parts during normal residential use for a period of five (5) years from the date of purchase. Blu will, at its election, repair, provide a replacement part or product, or make appropriate adjustment, subject to the terms and conditions set forth in this warranty.

LIMITED COMMERCIAL WARRANTY

Blu Bathworks® ("Blu") products are warranted to the original purchaser to be free from defects in all material and workmanship during normal usage for a period of one (1) year from the date of purchase. Blu will, at its election, repair, provide a replacement part or product, or make appropriate adjustment, subject to the terms and conditions set forth in this warranty.

terms and conditions

This warranty applies only to Blu Bathworks® ("Blu") products distributed in North America.

This warranty is non-transferable and is for the exclusive benefit of the original purchaser of a Blu product. This warranty may be exercised by the original purchaser of a unit in a new residential development. Blu recommends using a professional plumber for all installation and repair. This warranty does not apply to products that have been installed in any manner other than as set out in Blu's printed instructions, or to products that have been altered in any way.

For further clarity, the above stated warranty does not cover or apply to damage attributable to:

- (a) neglect, misuse, abuse, accident or negligence;
- (b) normal wear and tear;
- (c) dirt or lime scale, or the use of inappropriate cleaners (such as those containing abrasives, ammonia, acids, waxes, bleaches, solvents, alcohol, or any product not recommended for chrome); and
- (d) damage caused by transportation, or improper storage.

This is the only warranty of Blu, which makes no other warranty of any kind. Blu disclaims any liability for special, incidental or consequential damages. In no event shall the liability of Blu under this warranty exceed the purchase price of the product.

PROCEDURE FOR WARRANTY SERVICE

Refer to blubathworks.com for policy and procedures relating to requests for service under the terms of this warranty.

Original proof of purchase is required. Blu is not responsible for removal or installation costs, or the costs of shipping and handling associated with any service. Repaired or replaced products or parts are warranted only for the period remaining under the initial warranty.

Note: These installation instructions are subject to change without notice.