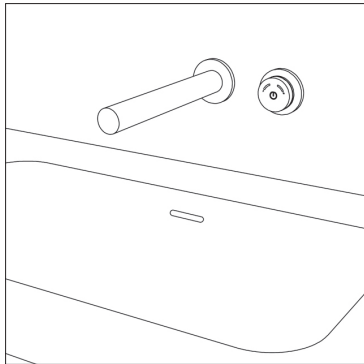
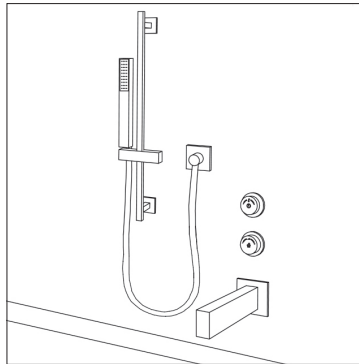


electronica wall-mount control wheel kit

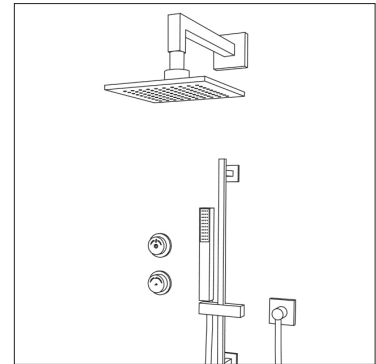
Installation Guide



PT7001
UNO · basin



PT7003
DUO·1 · bathtub



PT7005
DUO·2 · shower

Attention – Before Installation

1. Inspect this product to ensure you have all parts as shown that are required for proper installation.
2. This product must be installed by a professional contractor.
3. Refer to the specification and assembly drawings attached for installation directions.

Installation Requirements

Please read the instructions carefully so as to avoid any damage to the fixture.

1. To ensure this product is installed properly, you must read and follow these guidelines.
2. Be sure your installation conforms to local codes.
3. Refer to the specification and assembly drawings attached.
4. Use only a strap wrench or protected/smooth-jaw wrench on any finished surface.
5. Do NOT use putty during this installation.

Cleaners For Fittings And Accessories

To avoid damaging the surface and working components of the fittings, certain precautions must be taken in terms of usage and subsequent cleaning as many cleaning agents contain acids for general cleaning and removing calcium deposits. When caring for your fittings and accessories, please note the following:

- Only apply cleaners which are expressly intended for the use
- Never use any cleaner containing hydrochloric acid, formic acid or acetic acid on or near the fitting, as they can cause considerable damage
- Do not use cleaners containing phosphoric acid
- Do not use cleaners containing chlorine bleach solutions
- Never mix or combine cleaning agents
- Do not use abrasive cleaners and unsuitable scouring agents such as scouring pads

Technical Support Assistance

If further assistance is required, please contact:

Product support at 1.866.907.0122 (09:00 - 17:00hrs PST) or email technical@blubathworks.com

North America

Blu Bathworks Inc.

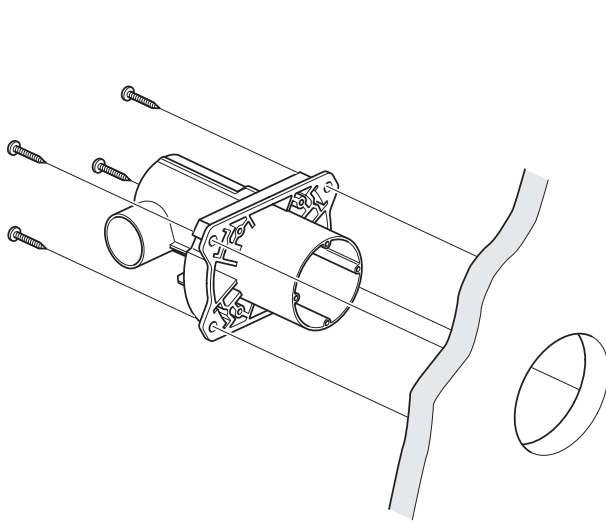
188 Smithe Street, Vancouver BC, Canada, V6B 6A9

T+1.604.299.0122 F+1.604.299.0125

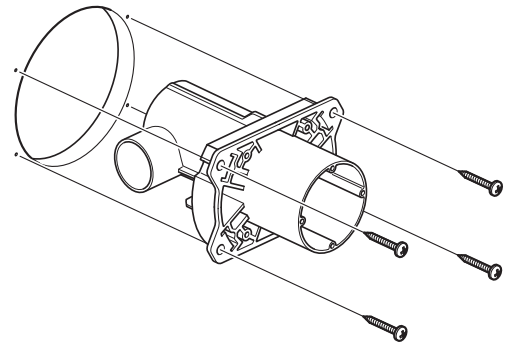
Please refer to blubathworks.com for warranty, terms & conditions under warranty & procedure for warranty service.

1 Attaching the in-wall box for controller

Note: The diagrams in this install indicate single wheel for basin installation (PT7001).
For dual wheel installation (PT7003/PT7005) duplicate these steps.



In-wall box attached from 'behind'

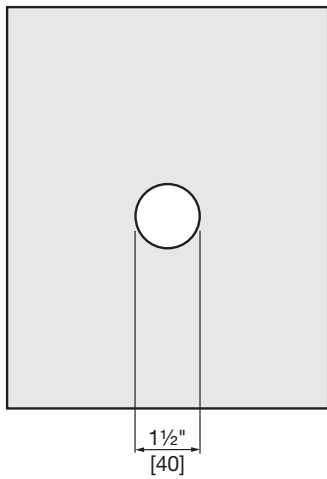


In-wall box attached from 'front'

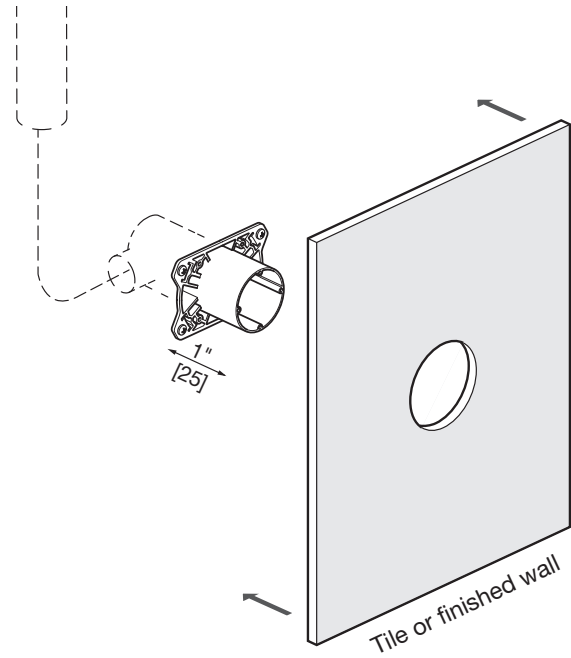
- Prepare the wall to take the in-wall box. The installation of the in-wall box will depend on each individual situation i.e. if there is access from behind the shower/tub/basin.
- A 1 4/7" (40mm) diameter hole is required if fitting the box from 'behind' and a 2 2/3" (68mm) diameter hole if fitting from the 'front'.
- Conduits should be used in the walls where necessary to protect the cables and allow maintenance.
- Attach the in-wall box using the screws supplied.

NOTE: For PT7003 & PT7005, the control wheels can be installed either vertically or horizontally.
In case of vertical layout, the in-wall box must be positioned so that the openings at the back are horizontal as shown in Fig.1.

2 Finish the wall

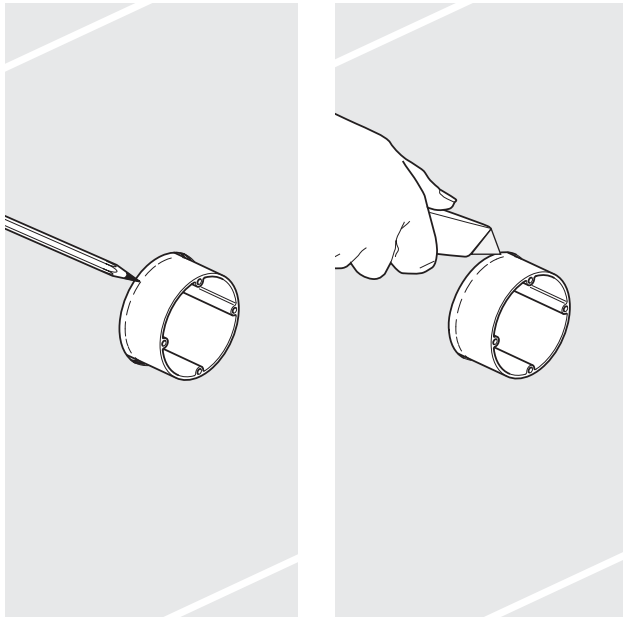


Hole size in tile or finished wall



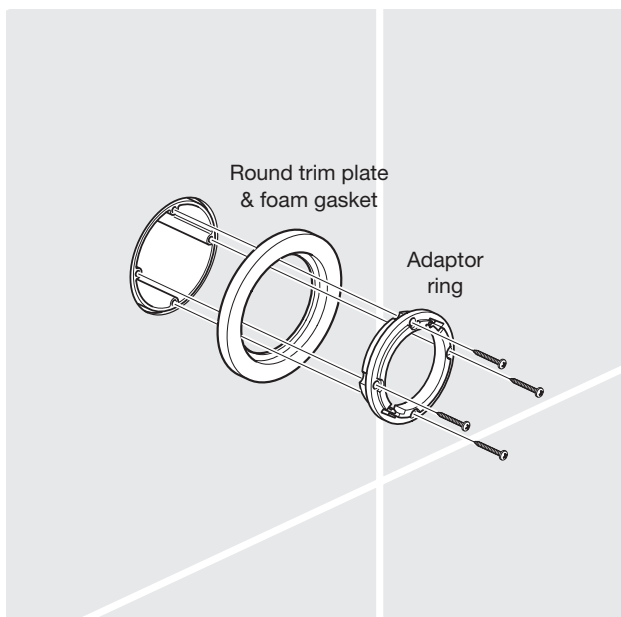
- Finish the wall by tiling etc. A 1 1/2" (40mm) diameter hole should be drilled in the tile (or alternative wall surface) to finish.
- After installing the in-wall box(es), finished wall thickness may be 1" (25mm) maximum.

3



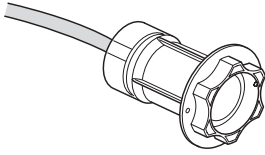
- Draw a line around the bracket collar of the in-wall box flush with the wall.
- Cut down the bracket collar of the in-wall box as marked.

4



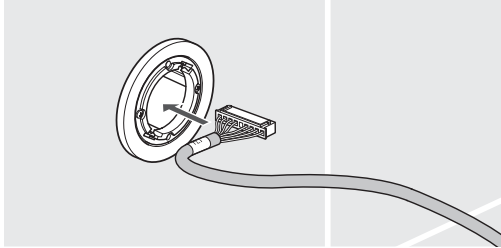
- Position the plastic adaptor ring inside the round trim plate/foam gasket and fix through the adaptor ring holes into the bracket collar of the in-wall box using the (4) 15mm screws supplied.

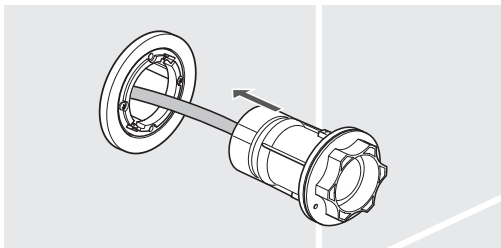
NOTE: This must be done manually.
DO NOT use an electric drill.

5

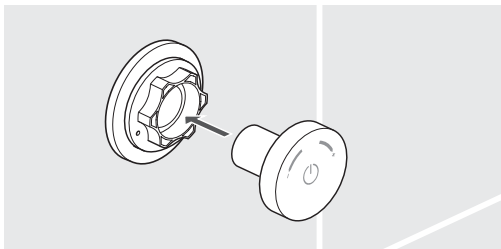
- Feed the data cable of the controller unit through the in-wall box collar.

NOTE: For ease of installation, the socket can be taped to the wire.



6

- Position the control wheel into the bracket and turn clockwise to lock in position.
- Push fit the 'single' control wheel onto the controller unit.



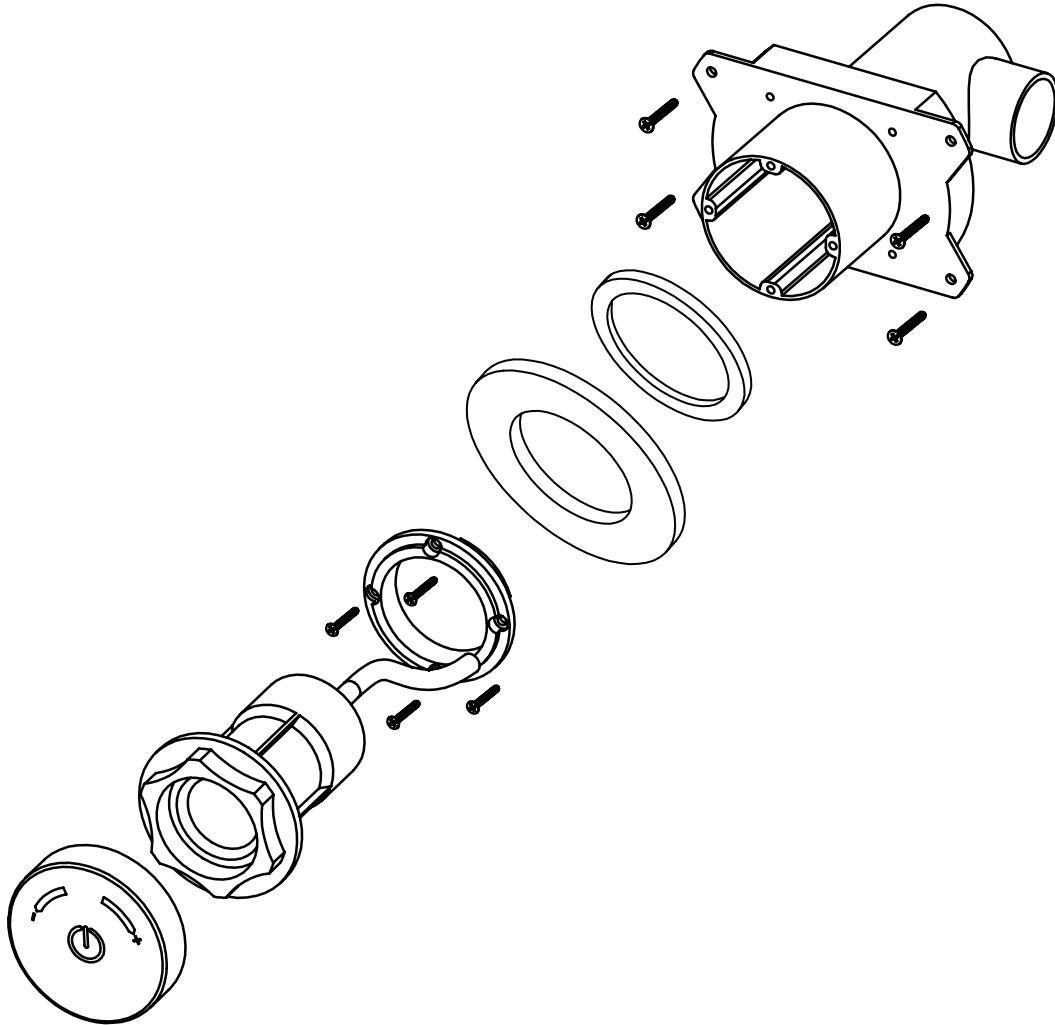
7

- For PT7003 & PT7005 repeat steps 1-6 for the second wheel.

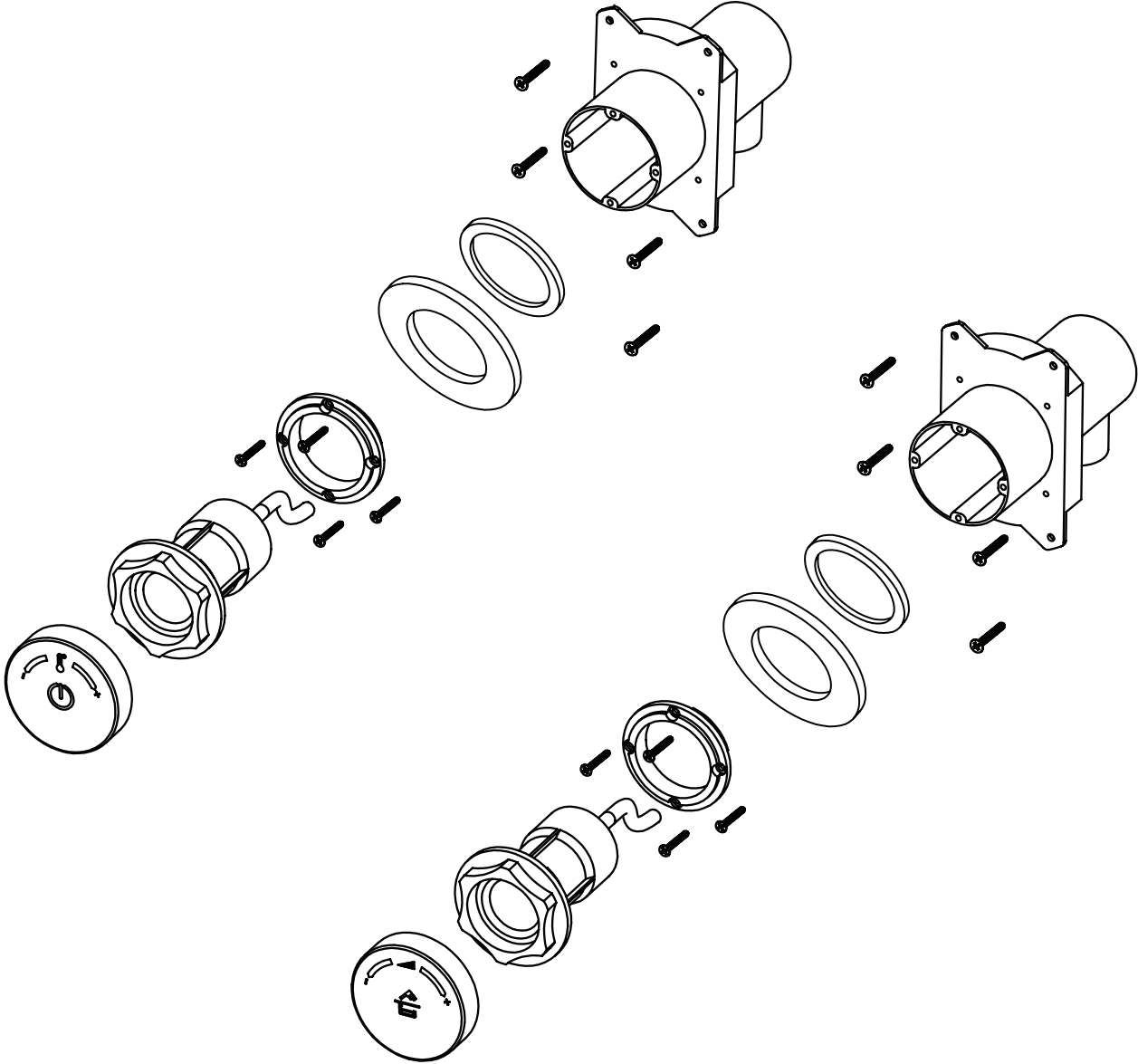
8

- Connect the data cable(s) control to the relevant control mixer. (see install guide for TEE016, TEE030 or TEE030S)

PT7001



PT7003



PT7005

