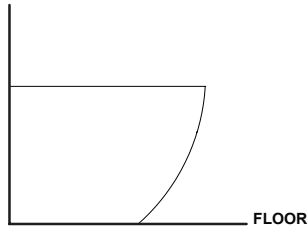
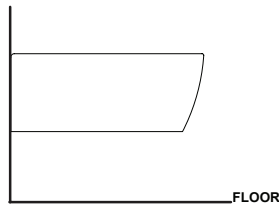


Back to Wall & Wall-Mount Bidet Installation Guide



LB9010



LB9020

Attention — Before Installation

If you are installing this product in a new construction or remodel, please make sure you are following all local plumbing and building codes. Carefully unpack and examine your new fixture for damage. To help insure that the installation process will proceed smoothly and correctly, please read these instructions carefully before you begin.

- We recommend that the installation be done by a minimum of 2 people as a security precaution. Also make sure to adopt the proper posture when lifting the basin.
- Adhere to all local building and plumbing codes. The diagrams in this guide are not construction plans. They are visual aids.
- Inspect this product to ensure you have all parts as shown that are required for proper installation. Blu recommends that the installer refer to the **Geberit concealed installation systems instructions**.

Note: The bidet faucet, drain and wall carrier for wall-hung bidets need to be purchased separately.

Installation Requirements

Please read the instructions carefully so as to avoid any damage to the fixture.

1. To ensure this product is installed properly, you must read and follow these guidelines.
2. The owner/user of the product must keep this information for future reference.
3. Consult local building codes to make sure the installation complies with standards.
4. Remove the unit from its packaging. Before disposing of it, inspect the unit to make sure its in good shape. Should inspection reveal any damage or defect in the finish, contact your distributor. The warranty does not cover damages or defects in the finish once it has been installed. Blu Bathworks' responsibility for shipping damages ceases upon delivery of the product in good order to the carrier. All complaints regarding damage due to transport must be made directly to the carrier.
5. Place the unit in the bathroom before you start working. Conserve all nuts and bolts.
6. To protect the unit during installation, we recommend that you lay a piece of cardboard between the bidet and its resting surface.
7. If the unit is covered with polyethylene protective film, do not remove until installation is complete to grant maximum protection. However, remove film where any two surfaces will be in permanent contact.
8. Verify that all dimensions on the plan are the same as the ones of the unit.

Installation Notes

Important! Install this product according to the installation guide. Our products must be installed by certified professionals only and according to our installation guide as well as federal, provincial / state and local building codes and regulations.

Technical Support Assistance

If further assistance is required, please contact:

Product Support at 1.866.907.0122 (09:00 – 17:00hrs PST) or email technical@blubathworks.com

North America

Blu Bathworks Inc.

188 Smithe Street, Vancouver, BC, Canada, V6B 6A9

T +1.604.299.0122 F +1.604.299.0125

Please refer to blubathworks.com for warranty, terms & conditions under warranty & procedure for warranty service.

Cleaners for Fittings and Accessories

To avoid damaging the surface and working components of the fittings, certain precautions must be taken in terms of usage and subsequent cleaning as many cleaning agents contain acids for general cleaning and removing calcium deposits. When caring for your fittings and accessories, please note the following:

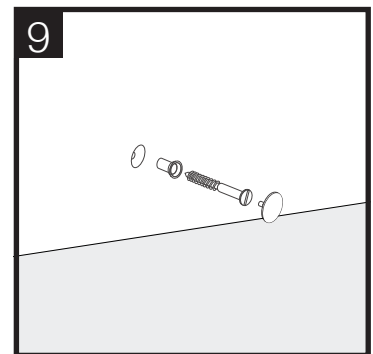
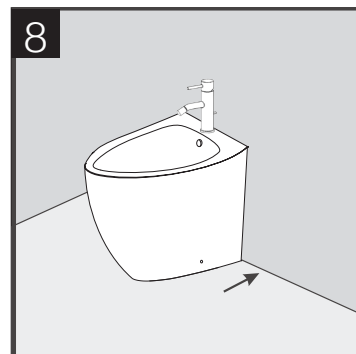
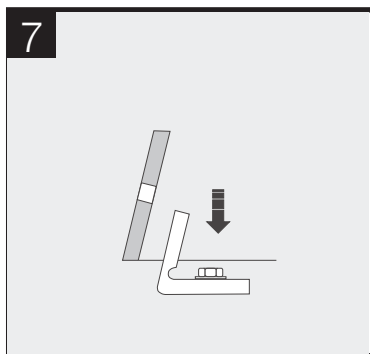
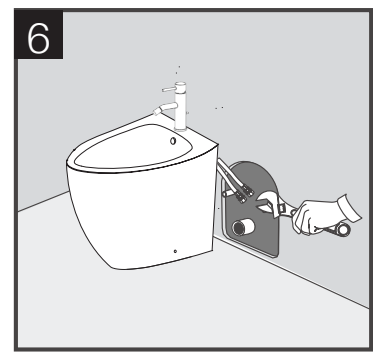
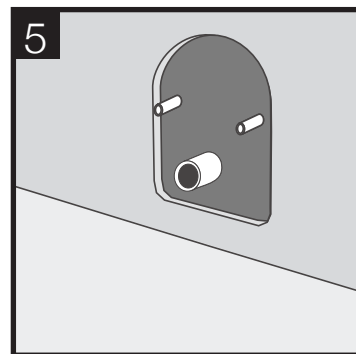
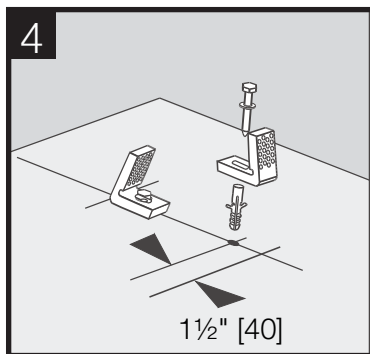
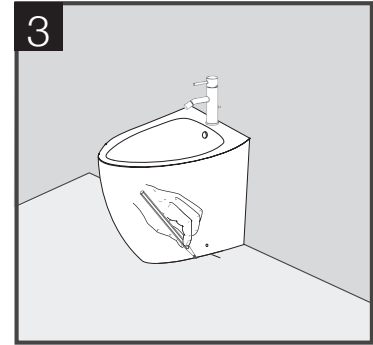
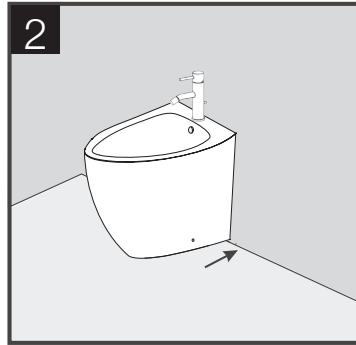
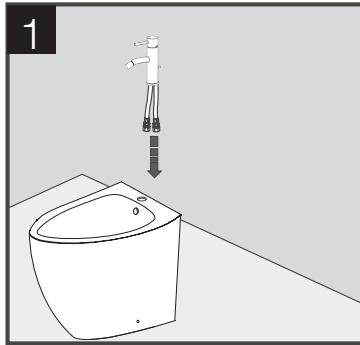
- Only apply cleaners which are expressly intended for the use
- Never use any cleaner containing hydrochloric acid, formic acid or acetic acid on or near the fitting, as they can cause considerable damage even with just one application
- Do not use cleaners containing phosphoric acid
- Do not use cleaners containing chlorine bleach solutions
- Never mix or combine cleaning agents
- Do not use abrasive cleaners and unsuitable scouring agents such as scouring pads.

Installation Instructions for Back to Wall Bidet LB9010

PREPARATION

- Turn-off water supply and if necessary remove old bidet.
- Install or relocate the supply tubing and waste pipe to the specified rough-in dimension.
- It is recommended that the faucet and waste be assembled and installed prior to the installation of the bidet.

Refer to Illustrations below.



FINISHING

- Install the faucet and drain per manufacturer's instructions.
- Turn-on the water supply and check entire installation for leaks.

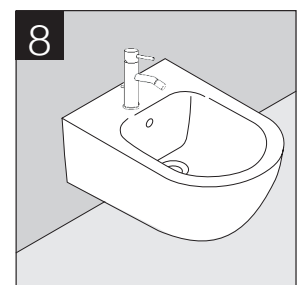
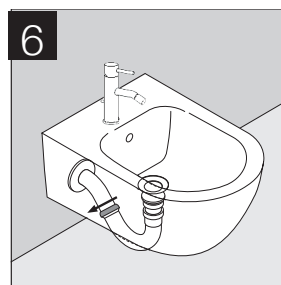
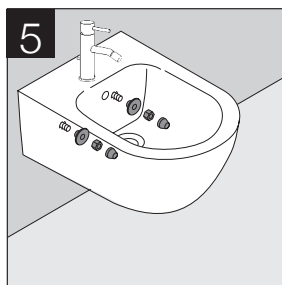
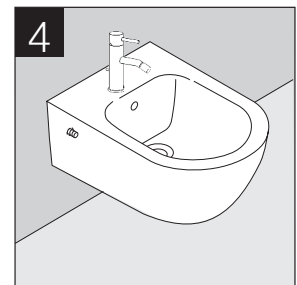
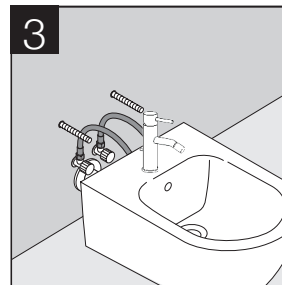
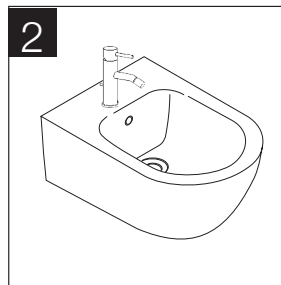
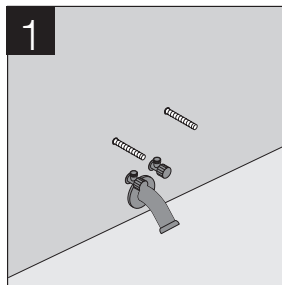
Installation Instructions for Wall-mount Bidet LB9020

PREPARATION

- Turn-off water supply and if necessary remove old bidet.
- Install or relocate the supply tubing and waste pipe to the specified rough-in dimension.
- It is recommended that the faucet and waste be assembled and installed prior to the installation of the bidet.

Refer to the Geberit carrier installation and maintenance instructions prior to the installation of these products.

Refer to Illustrations below.



FINISHING

- Install the faucet and drain per manufacturer's instructions.
- Turn-on the water supply and check entire installation for leaks.