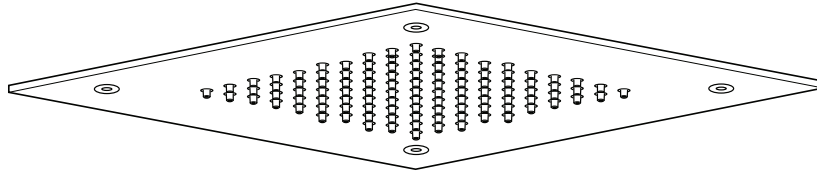


# Recessed Showerhead Installation Guide



TE700

## Attention – Before Installation

1. Inspect this product to ensure you have all parts as shown that are required for proper installation.
2. Ensure that both hot and cold water feeds are properly connected to the marked lav connecting.
3. This product must be installed by a professional contractor.
4. Refer to the specification and assembly drawings attached for installation directions.

## Installation Requirements

Please read the instructions carefully so as to avoid any damage to the fixture.

1. To ensure this product is installed properly, you must read and follow these guidelines.
2. The owner/user of the faucet must keep this information for future reference.
3. Be sure your installation conforms to local codes.
4. Refer to the specification and assembly drawings attached.
5. Inspect this product to ensure you have all parts required for proper installation.
6. Use only a strap wrench or protected/smooth-jaw wrench on any finished surface.
7. Do NOT use putty during this installation.

## Cleaners For Fittings And Accessories

To avoid damaging the surface and working components of the fittings, certain precautions must be taken in terms of usage and subsequent cleaning as many cleaning agents contain acids for general cleaning and removing calcium deposits. When caring for your fittings and accessories, please note the following:

- Only apply cleaners which are expressly intended for the use
- Never use any cleaner containing hydrochloric acid, formic acid or acetic acid on or near the fitting, as they can cause considerable damage
- Do not use cleaners containing phosphoric acid
- Do not use cleaners containing chlorine bleach solutions
- Never mix or combine cleaning agents
- Abrasive cleaners and unsuitable scouring agents such as scouring pads

## Technical Support Assistance

If further assistance is required, please contact:

Product Support at 1.866.907.0122 (09:00 – 17:00hrs PST) or email [technical@blubathworks.com](mailto:technical@blubathworks.com)

### North America

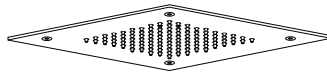
Blu Bathworks Inc.

188 Smithe Street, Vancouver, BC, Canada, V6B 6A9

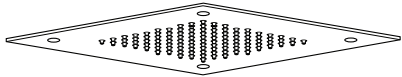
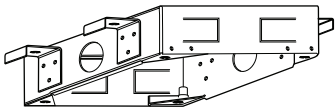


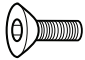
T +1.604.299.0122 F +1.604.299.0125

Please refer to [blubathworks.com](http://blubathworks.com) for warranty, terms & conditions under warranty & procedure for warranty service.

# Materials

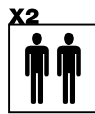


TE700

	x1
	x1
	x2
	x1
	x4

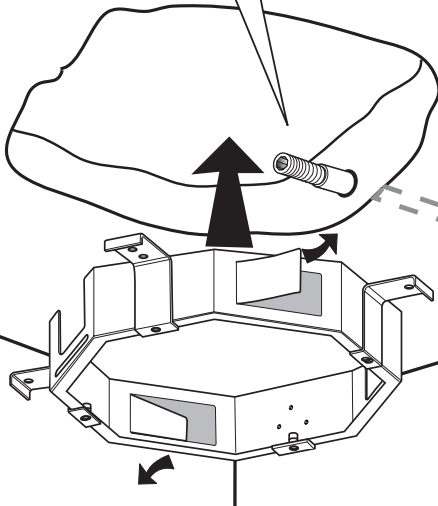
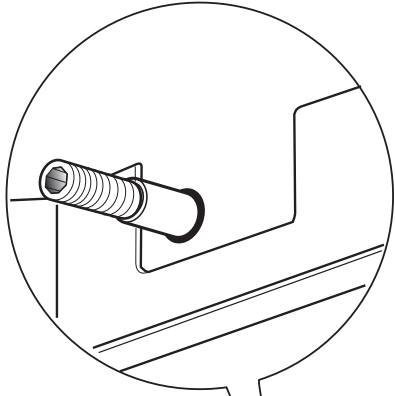
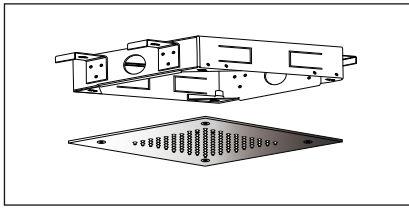


- wear protection

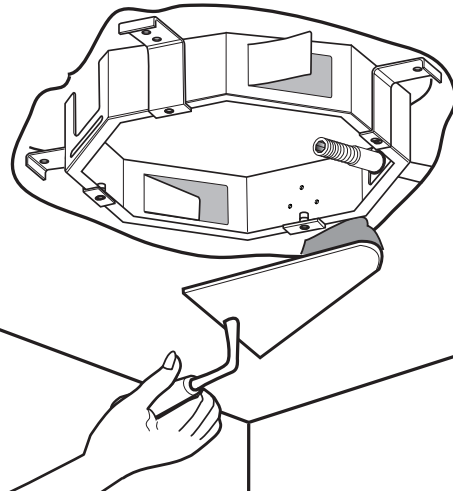
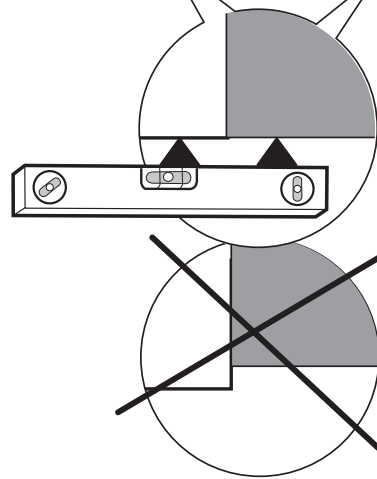
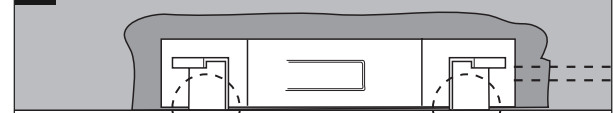


- two people recommended

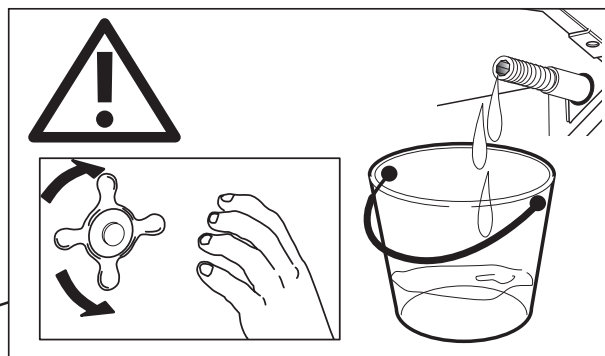
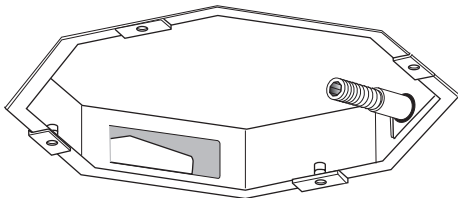
1

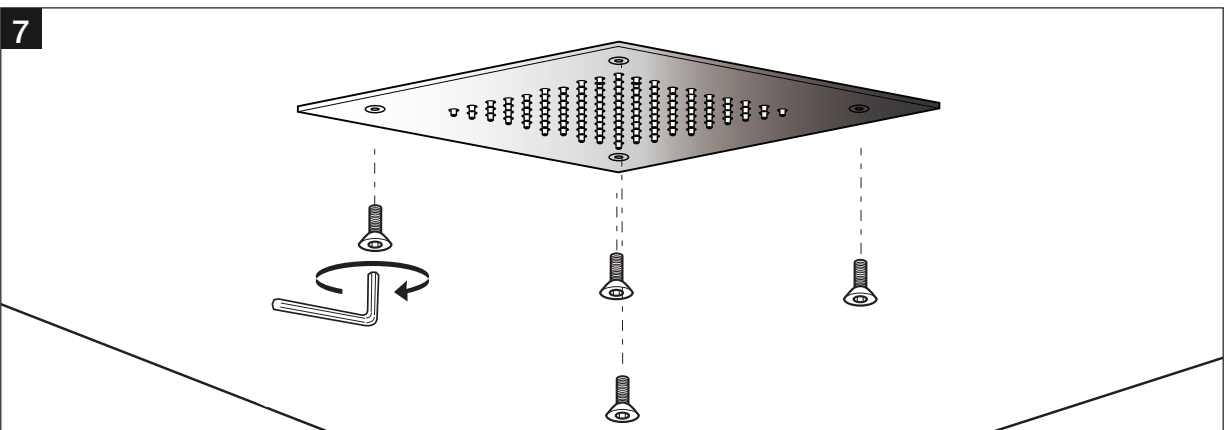
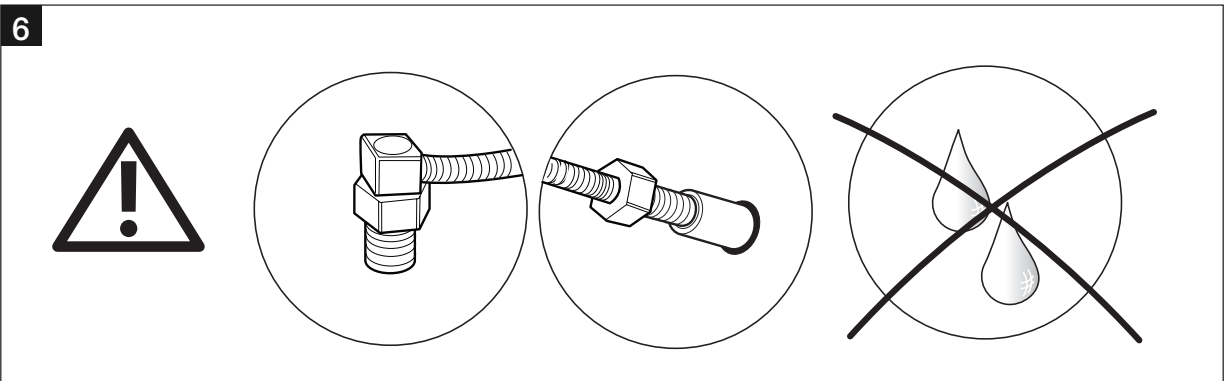
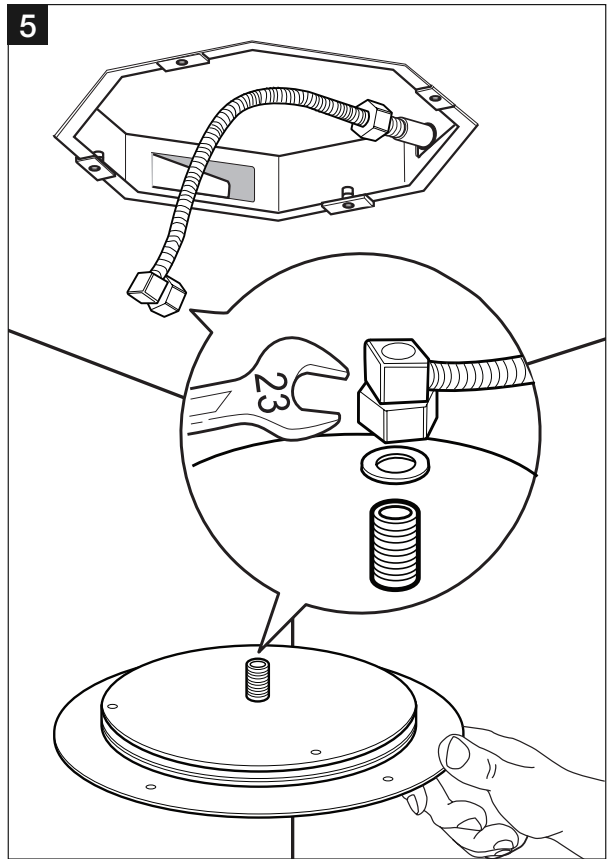
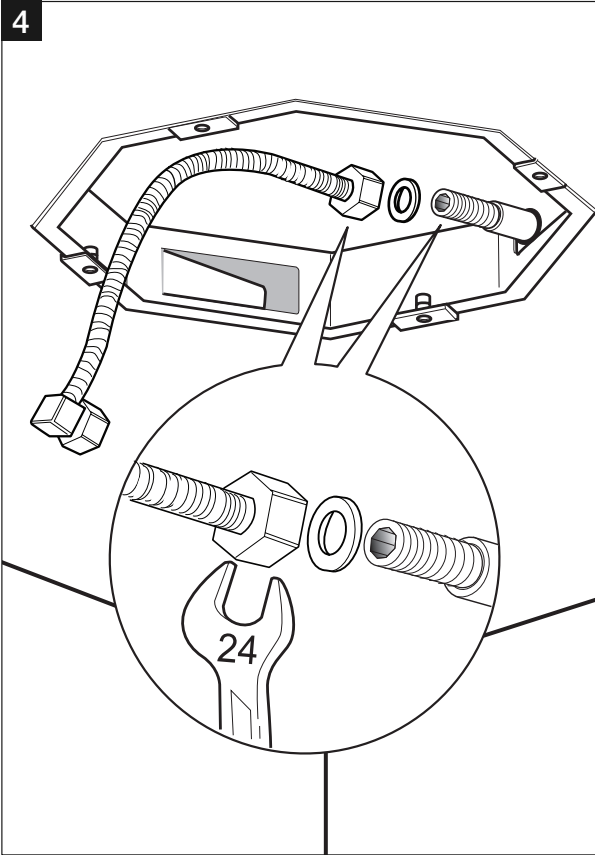


2

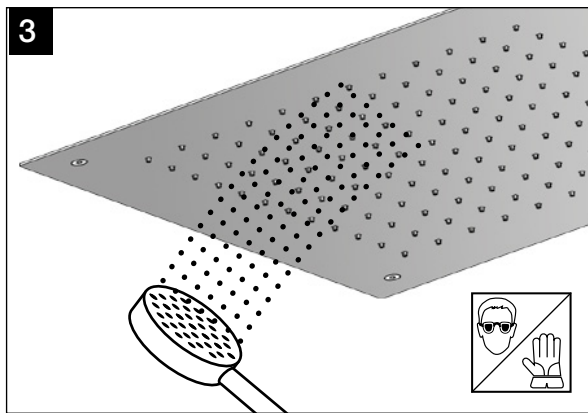
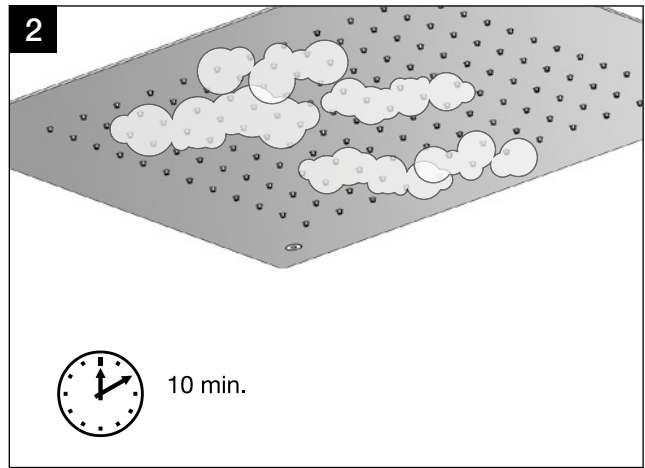
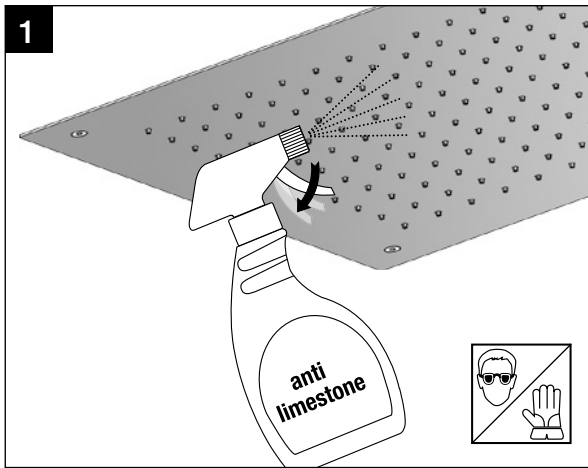


3

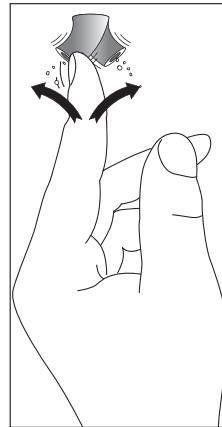
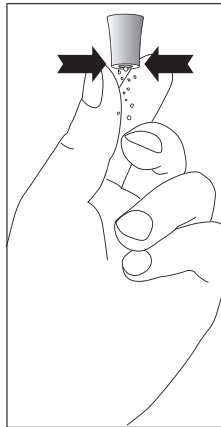
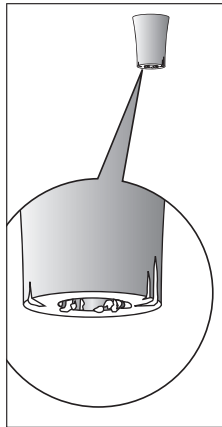




# Cleaning Tips



Limestone



# TE700

