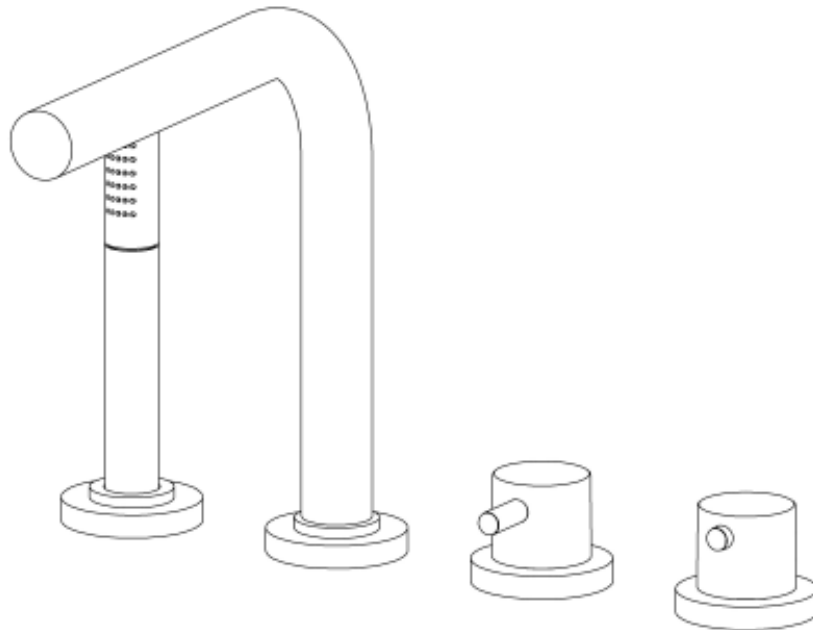


# Thermostatic Deck-Mounted Bathtub Mixer

## Installation Guide



TSP421

## Attention – Before Installation

1. Inspect this product to ensure you have all parts as shown that are required for proper installation.
2. The valve cartridge has been factory tested and adjusted – DO NOT TAKE THE CARTRIDGE APART. Taking the cartridge apart will void the warranty.
3. Ensure that both hot and cold water feeds are properly connected to the marked lav connecting.
4. This product must be installed by a professional contractor.
5. Refer to the specification and assembly drawings attached for installation directions.
6. Flow Pressure –Min. 25 PSI, Max. 80 PSI. Recommended pressure – 50 to 60 PSI.

## Installation Requirements

Please read the instructions carefully so as to avoid any damage to the fixture.

1. To ensure this product is installed properly, you must read and follow these guidelines.
2. The owner/user of the faucet must keep this information for future reference.
3. Be sure your installation conforms to local codes.
4. Refer to the specification and assembly drawings attached. Faucet is sold partially assembled but shown fully disassembled for illustrative and service purposes only.
5. Inspect this product to ensure you have all parts required for proper installation.
6. Use only a strap wrench or protected/smooth-jaw wrench on any finished surface.
7. If possible, install the faucet assembly on the sink or mounting surface before setting.
8. Do NOT use putty during this installation.

## Cleaners For Fittings And Accessories

To avoid damaging the surface and working components of the fittings, certain precautions must be taken in terms of usage and subsequent cleaning as many cleaning agents contain acids for general cleaning and removing calcium deposits. When caring for your fittings and accessories, please note the following:

- Only apply cleaners which are expressly intended for the use
- Never use any cleaner containing hydrochloric acid, formic acid or acetic acid on or near the fitting, as they can cause considerable damage
- Do not use cleaners containing phosphoric acid
- Do not use cleaners containing chlorine bleach solutions
- Never mix or combine cleaning agents
- Abrasive cleaners and unsuitable scouring agents such as scouring pads

## Technical Support Assistance

If further assistance is required, please contact:

Product Support at 1.866.907.0122 (09:00 – 17:00hrs PST) or email [technical@blubathworks.com](mailto:technical@blubathworks.com)

### North America

Blu Bathworks Inc.

188 Smithe Street, Vancouver, BC, Canada, V6B 6A9

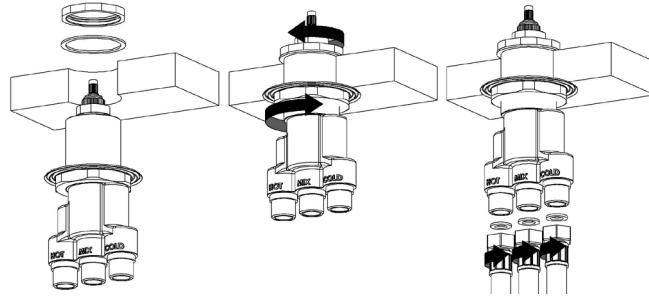
T +1.604.299.0122 F +1.604.299.0125

Please refer to [blubathworks.com](http://blubathworks.com) for warranty, terms & conditions under warranty & procedure for warranty service.

## INSTALLATION

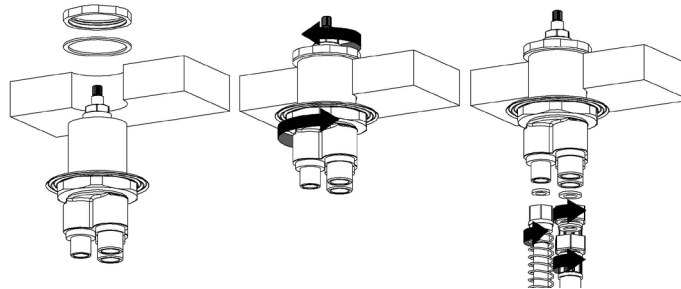
### 1) Thermostatic Body

- Insert the thermostatic body in the 48mm (2") deck mount hole.
- Screw the upper and bottom flange to the body. See drawing below.
- Screw the flexible pipe of hot inlet; screw the flexible pipe of mix water; screw the flexible pipe of cold water. Remember to use the gaskets supplied



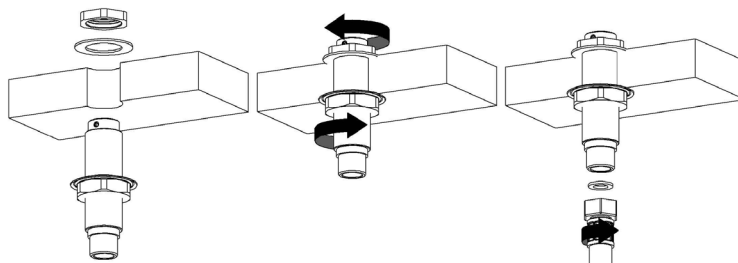
### 2) Diverter Body

- Insert the diverter body in the 48mm (2") deck mount hole.
- Screw the upper and bottom flange to the body. See drawing below.
- Screw the flexible pipe of the mix water, screw the flexible pipe of the spout outlet, screw the flexible pipe of the hand shower outlet. Remember to use the gaskets supplied.



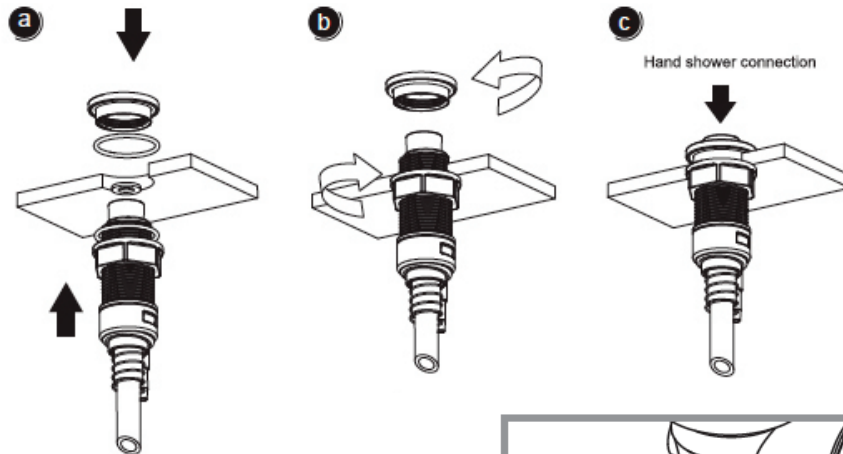
### 3) Spout Base

- Insert the spout holder in the 28mm (1 1/8") deck mount hole.
- Screw the upper and bottom flange to the spout holder. See drawing below.
- Screw the flexible pipe of the spout outlet. Remember to use the gaskets supplied.



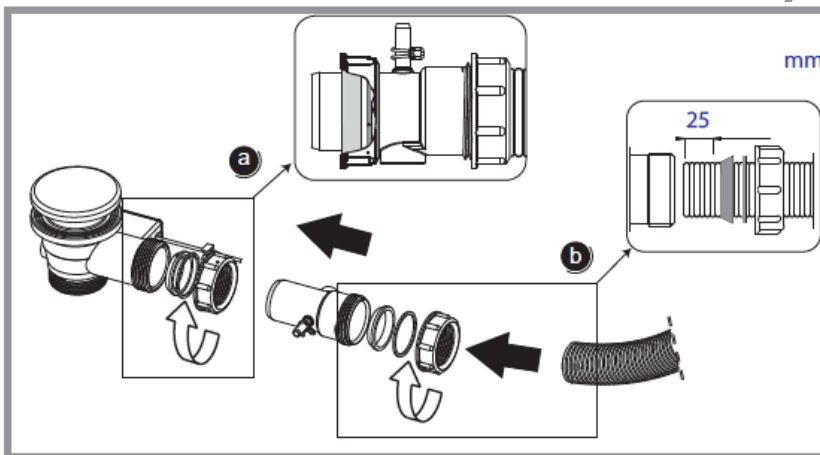
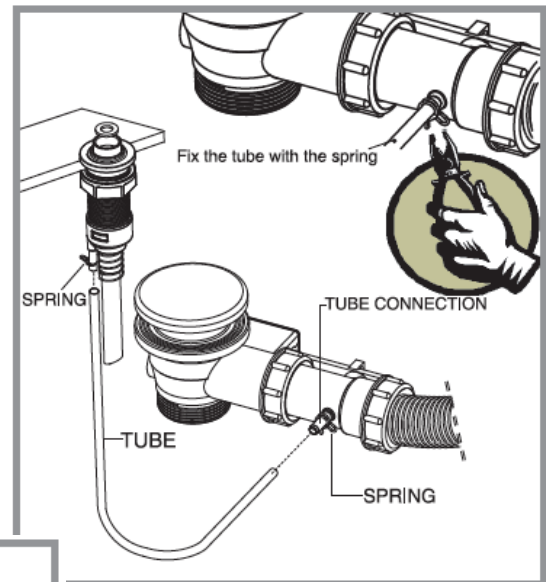
## INSTALLATION

### 4) Handshower Connection



- Insert the hand shower connection in the 36mm (1½") deck mount hole.
- Screw the upper and bottom flange to fit the hand shower connection. See drawing below.

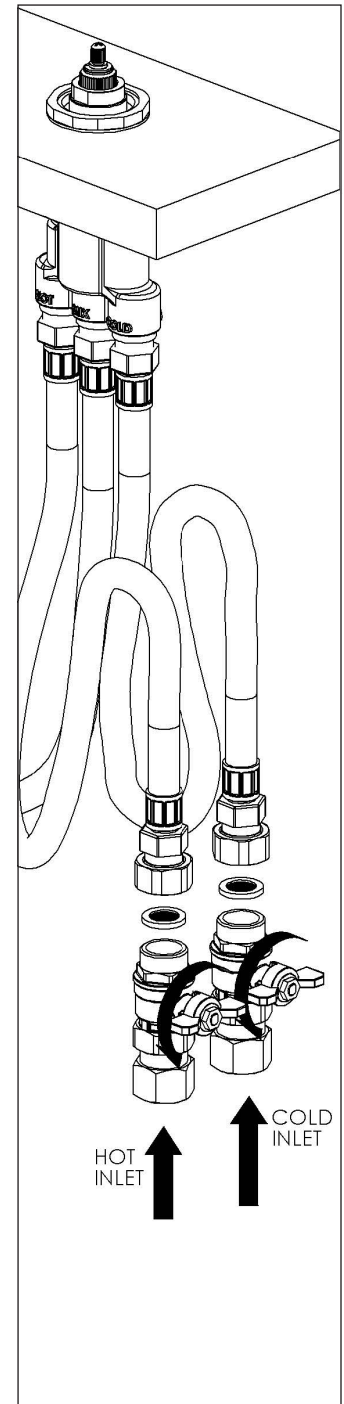
Note: A perfectly clean surface is recommended to facilitate flexible pipe and spring return.



## INSTALLATION

### Inlets Closure

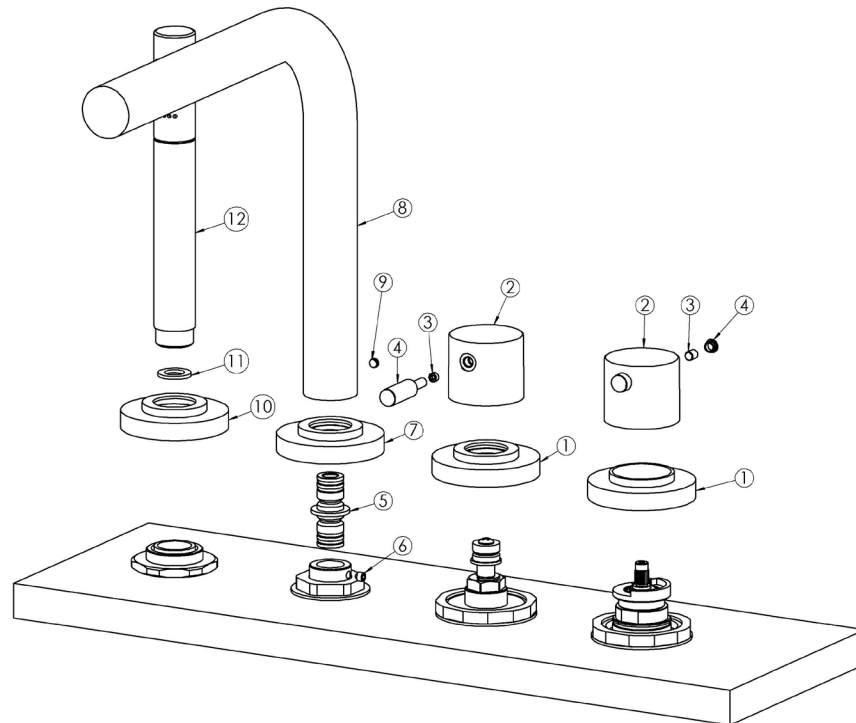
- Install the two closure valves: one for the cold inlet and one for the hot inlet.
- Screw the flexible pipe for cold water at the cold closure valve, screw the flexible pipe for hot water at the hot closure valve.
- Remember to use the filter with gaskets.
- Turn the handle of the closure valve counter-clockwise to open the water flow.



## INSTALLATION

### Trim

- Fit the two chrome rings (1).
- Fit the two handles (2). See drawing below.
- Fit the two grub screws (3) with 2.5mm / 1/8" Alan key.
- Fit the lever and the cup (4).
- Insert the chrome ring (7) in the spout (5); insert the spout (5) in the spout holder and screw the grub screw (6); lower the chrome ring (7). Attention: don't damage the chrome part.
- Fit the chrome ring (8), insert the gasket (9), screw the hand shower (10).



TSP421



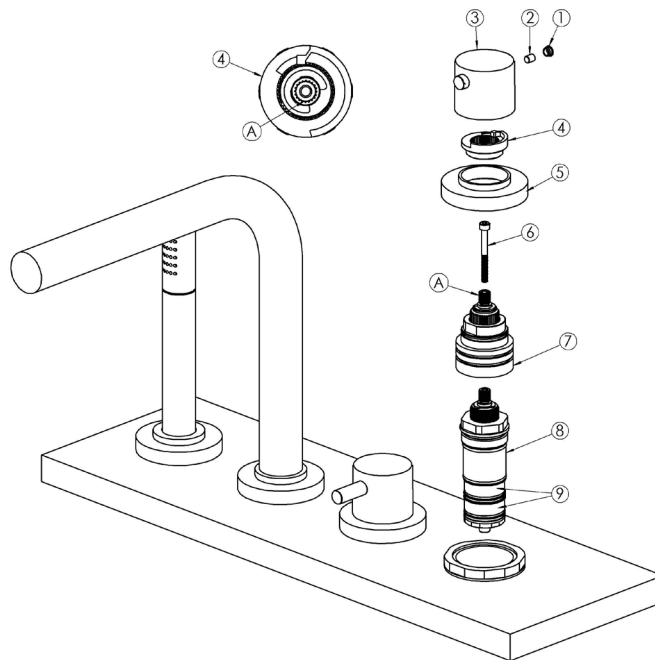
## MAINTENANCE

### Thermostatic cartridge change and cleaning

Through years of use, impurities and lime scale could restrict flow of water through the filters of the cartridge.

To clean the filters:

- Shut off the water supply to both inlets
- Remove the lever (1), remove the grub screw (2) with 2.5mm / 1/16" Alan key, remove the temperature control knob (3) and temperature stop ring (4).
- Remove the chrome ring (5) and the screw (6) with 3mm / 1/8" Alan key.
- Use the extension of the cartridge (7) like a device to unscrew the thermostatic cartridge (8). Unscrew the cartridge using 30mm / 1 1/6" spanner, wash filters (9) under running water or leave to soak in vinegar or de-scalding agent.
- Before re-assembling cartridge clean its housing with wet cloth and grease "O" rings on cartridge.
- Re-assemble cartridge (8) into body and the extension (7).
- Fit the screw (6) and chrome ring (5).
- Fit the temperature stop ring (4) according to the drawing and turn spindle (A) until you reach required temperature 38°C.
- Fit the temperature control knob (3) and test that the maximum temperature is set at 43°C.
- Fit the grub screw (2) and fit the lever (1).



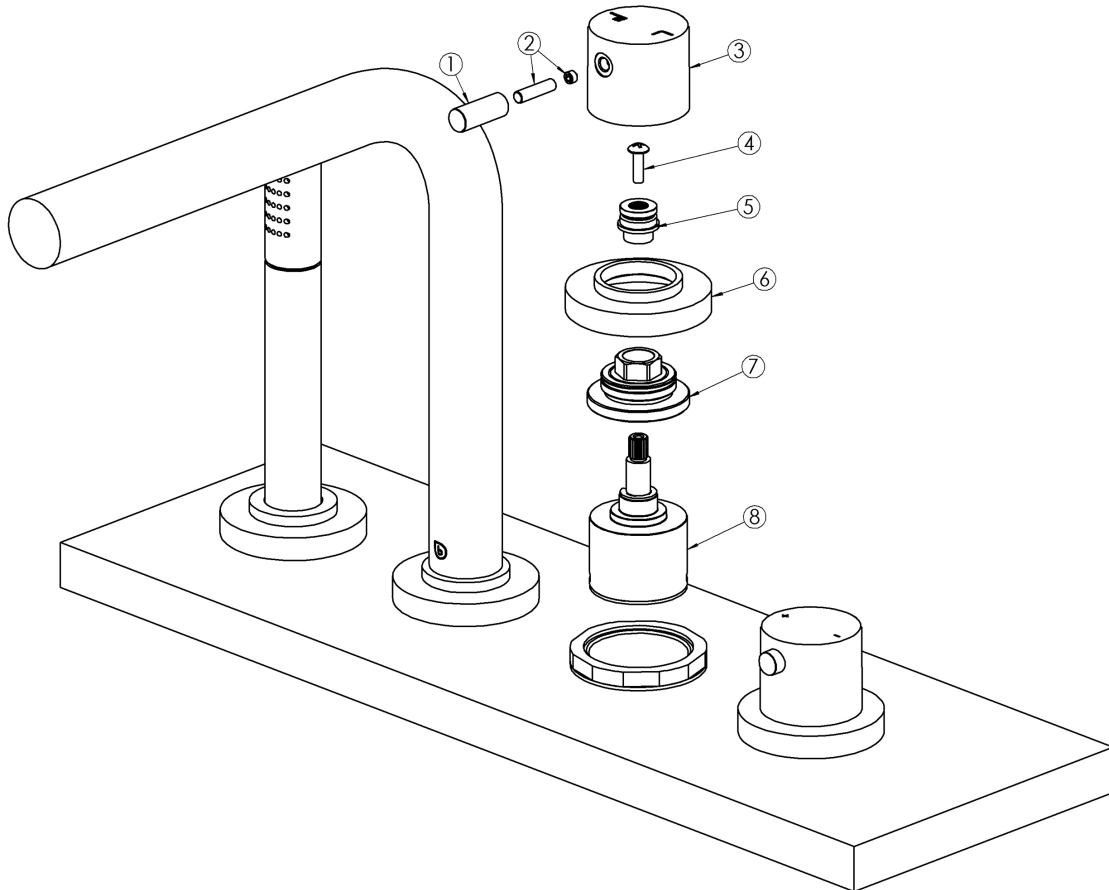


## MAINTENANCE

### Diverter cartridge change and cleaning

To clean the filters:

- Shut off the water supply to both inlets
- Remove the lever (1), remove the grub screw (2) with 2.5mm / 1/8" Alan key, remove the closure control knob (3).
- Remove the chrome ring (6).
- Unscrew flange (7) using 17mm / 3/4" spanner.
- Remove the diverter cartridge (8).
- Before re-assembling cartridge clean its housing with wet cloth and grease "O" rings on cartridge.
- Place the new cartridge, inserting the two pivots into the corresponding seats.
- Fit the flange (7).
- Fit the chrome ring (6).
- Fit the element (5) and the screw (4).
- Fit the closure control knob (3).
- Fit the grub screw (2) and fit the lever (1).

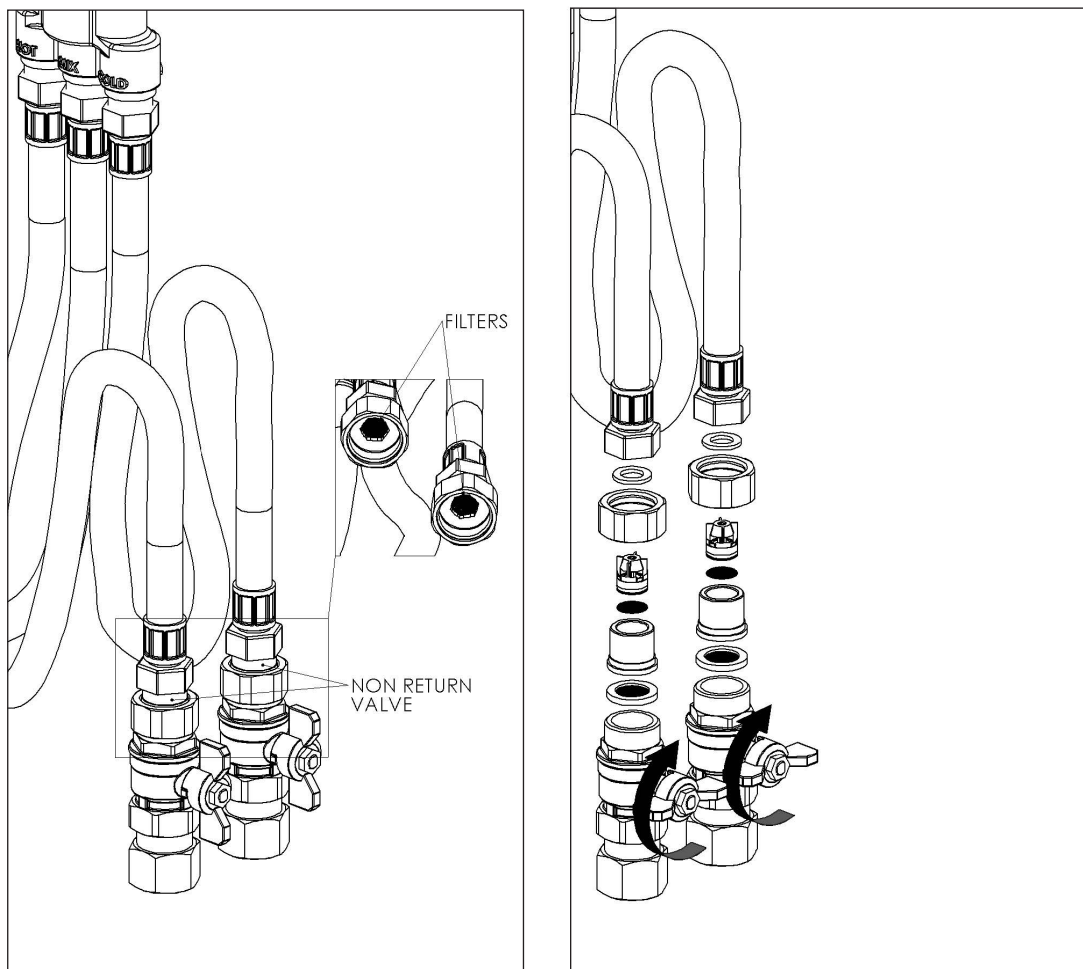


## MAINTENANCE

### Cleaning Filters

If the flow is insufficient, the filters set in the inlets before the check-valves could be obstructed by limestone or dirt. In this case, proceed as follows:

- Close the main supply to both inlets
- Unscrew the nuts and clean or replace the filters, when the replacement of the check-valve is required, the nipples must be disassembled (see picture).

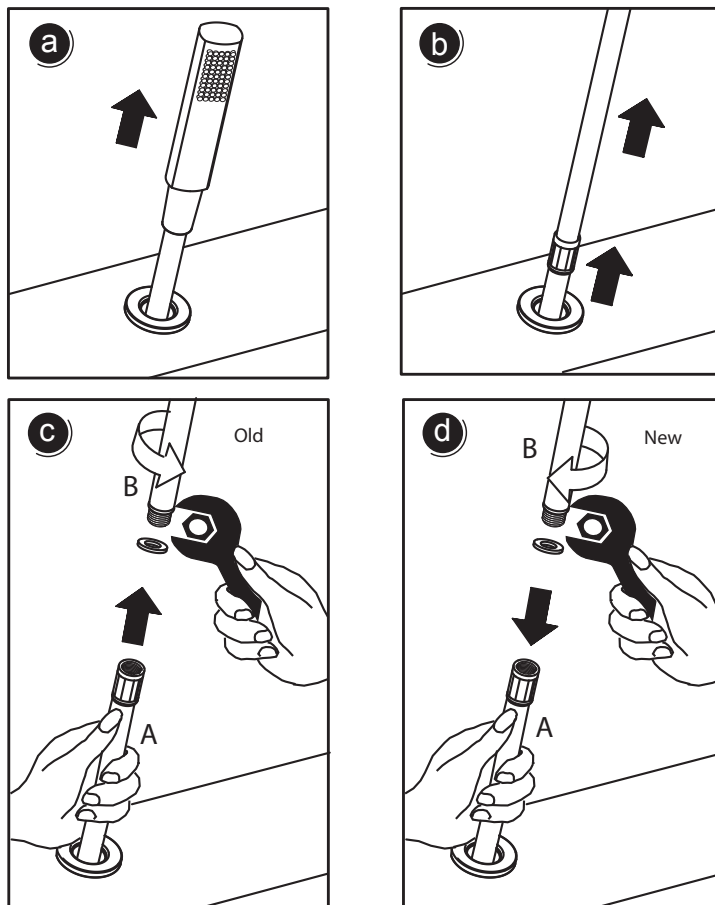


## MAINTENANCE

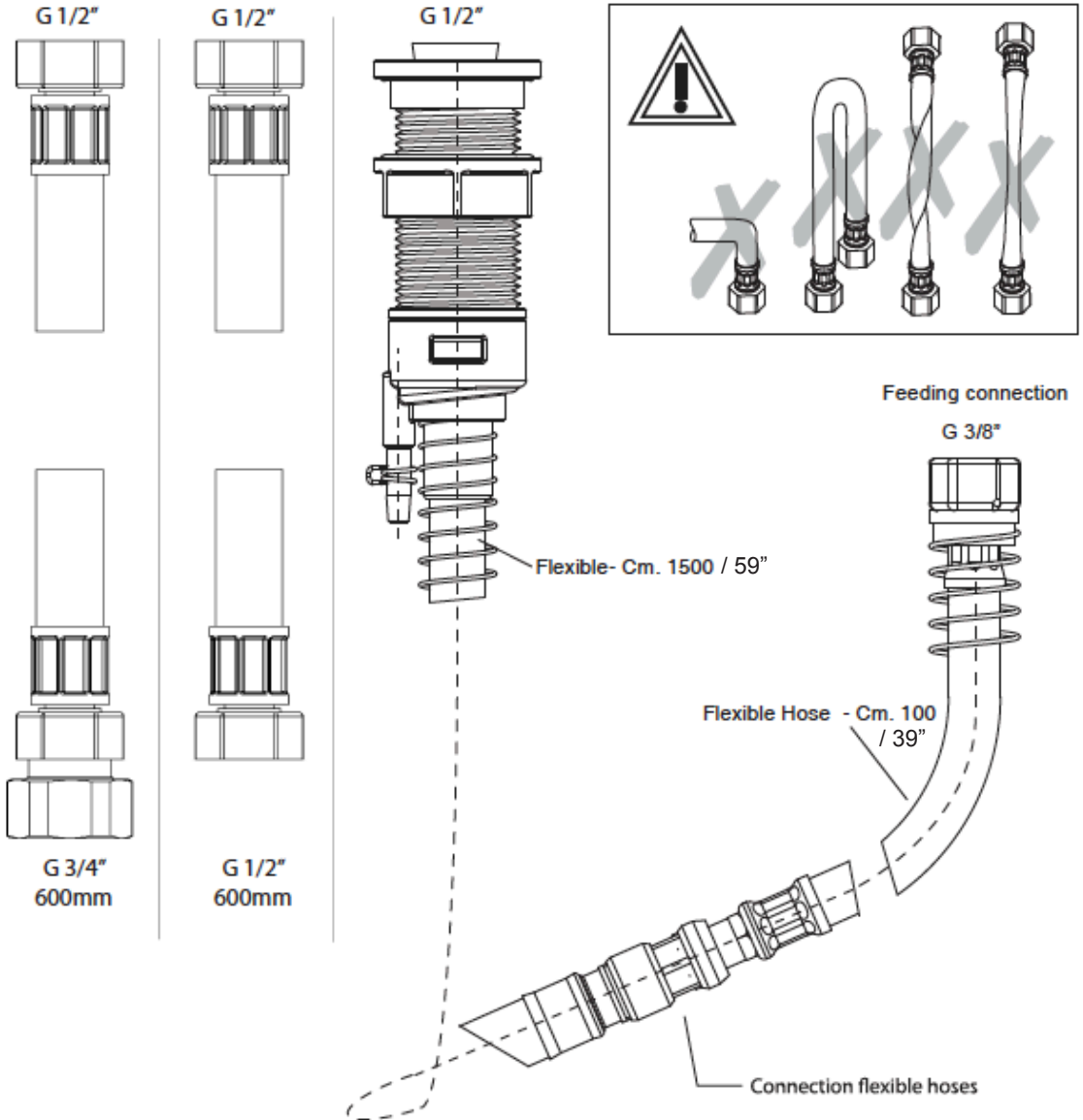
### Hand shower

- Tightly screw the new flexible to the connection, with the gasket in between, paying attention not to loose grip on the flexible (point A in picture C) because an incidental recovery below the bath deck mixer will hamper its collection.
- The distance between the feeding point and the exit point of the hand shower on the bath deck, **MUST NOT EXCEED THE LENGTH OF (70 cm. / 27½")** due to the fact that it will be **IMPOSSIBLE** substituting flexible B. (150 cm / 60".)

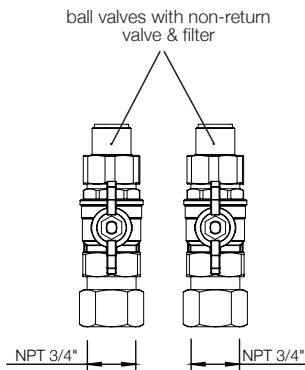
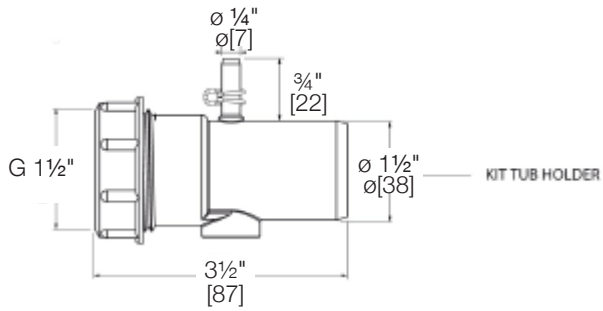
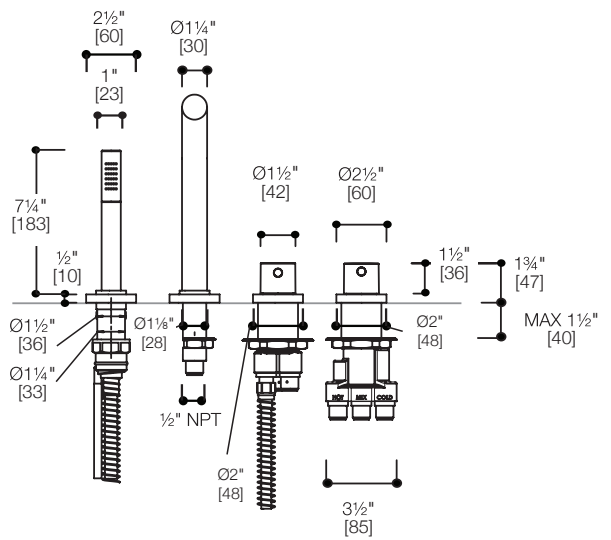
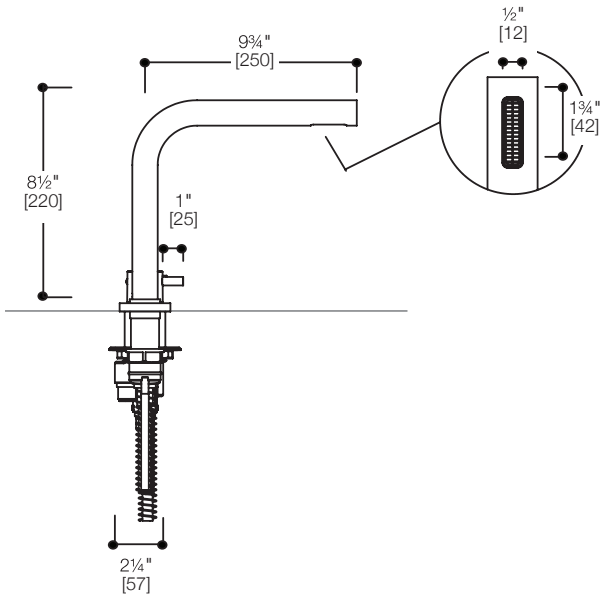
#### FLEXIBLE REPLACEMENT (A)



FLEXIBLES



# TSP421



# TSP421

