

# 67" ASIA DOUBLE ACRYLIC ROLL TOP TUB

Cat. No.  
ADTR67



L: 67"  
W: 29-1/2"  
H: 24-1/2" (from floor)  
18" (from bottom of tub)

Water Depth: 11-1/2" to OF

The following is recommended for  
ADTR67 tubs

- Tub wall-mounted faucets: **4022, 4025, or 4035**
- Double offset bath supplies: **Part# 5576**
- Leg tub drain: **Part# 5599**

Do not use with rigid, freestanding supplies

Gallon Capacity: 50  
Shipping Weight: 150 lbs.  
Empty Weight: 100 lbs.  
Filled Weight: 518 lbs.

## Features:

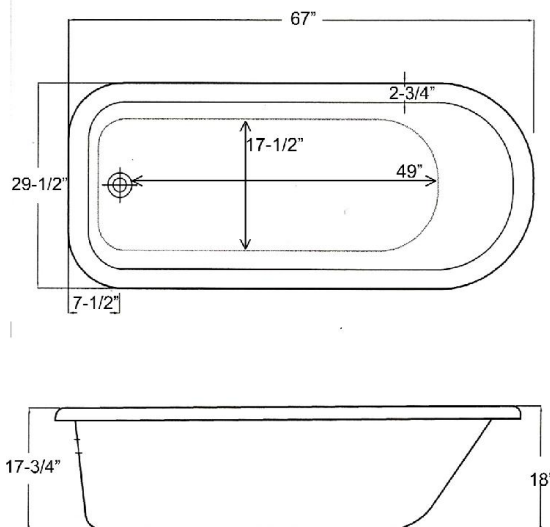
- ▶ Smooth white acrylic surface inside and out
- ▶ 3-3/8" centers in tub wall
- ▶ Pre-drilled overflow hole
- ▶ Continuous rolled rim
- ▶ Cast aluminum ball and claw feet
- ▶ Tubs ship with feet attached and leveled
- ▶ Tubs thoroughly inspected before shipment



## Foot Finishes

<b>BQ</b> Bisque	<b>BL</b> Black
<b>BP</b> Polished Brass	<b>CP</b> Polished Chrome
<b>BN</b> Brushed Nickel	<b>ORB</b> Oil Rubbed Bronze
<b>PN</b> Polished Nickel	<b>WH</b> White

**Custom Colors Available** (inside of tub is always white enamel):  
Painted bathtubs are considered "special order" and are not returnable  
\$160 Bisque or Black \$250 Designer Color



Dimensions are nominal and specifications subject to change without notice.

# CODE RECTANGULAR SHOWER UNIT

Cat. No.  
4122



## Features:

- ▶ 3/4" Solid brass tubing
- ▶ Code gooseneck spout
- ▶ 3-3/8" Centers
- ▶ 1/4 Turn ceramic disc cartridges
- ▶ Flow rate 3.68 GPM
- ▶ Porcelain lever handles
- ▶ Rectangular shower rod and riser included
- ▶ Includes ceiling and wall support assemblies
- ▶ Supports are adjustable by cutting
- ▶ Does Not include showerhead
- ▶ For acrylic tub use only
- ▶ For cast iron tub use **Part# 4124**

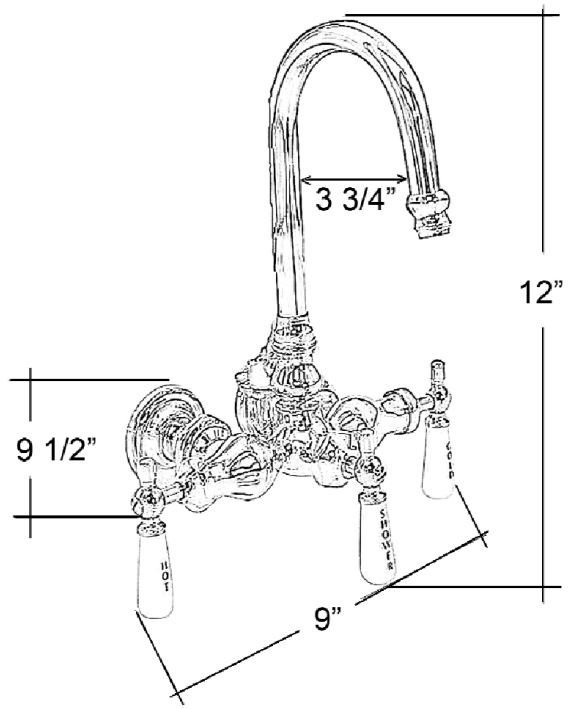
## Shower Rod

L: 48"  
D: 24"

Riser Height: 62"  
Wall Support: 10" Adjustable  
Ceiling Support: 30" Adjustable

## Finishes:

- CP Polished Chrome
- BP Polished Brass
- SN Brushed Nickel



Dimensions are nominal and may vary. Dimensions and specifications subject to change without notice.

# DOUBLE OFFSET BATH SUPPLIES

Cat.No.  
5576



H: 24"

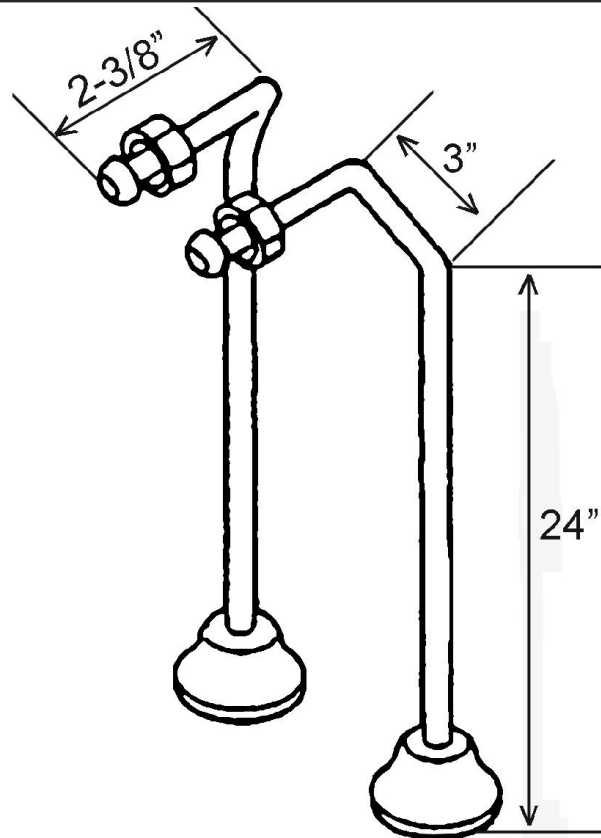
OD: 1/2"

## Features:

- ▶ For use with faucets mounted to the tub wall
- ▶ No Stops
- ▶ 1/2" Compression inlet
- ▶ 3/4" Compression outlet
- ▶ 0.500" Outer diameter
- ▶ 0.440" Inner diameter
- ▶ 0.030" Thickness of the wall
- ▶ Available in 5 finishes

## Finishes:

<b>CP</b>	Polished Chrome	<b>PN</b>	Polished Nickel
<b>PB</b>	Polished Brass	<b>BN</b>	Brushed Nickel
<b>ORB</b>	Oil Rubbed Bronze		



**Use on concrete floors requires special installation. We recommend using a plumbing professional.**

Dimensions and specifications subject to change without notice.

# LEG TUB DRAIN

Cat. No.  
5599



Escutcheon Height: 1-1/4"

## Features:

- ▶ Twist-and-lift stopper
- ▶ Includes deep escutcheon
- ▶ Height adjustable 15"-18"
- ▶ Depth adjustable 12"-14"
- ▶ Includes deep escutcheon
- ▶ Available in 5 Finishes

## Finishes:

- CP Polished Chrome
- BP Polished Brass
- SN Brushed Nickel
- PN Polished Nickel
- ORB Oil Rubbed Bronze

## #5599 Leg Tub Drain



Dimensions and specifications subject to change without notice.