

DUNCAN VANITY

Cat. No.
VA109



Width: 47-1/4"
Depth: 19-3/4"
Height: 29-5/8"

Features:

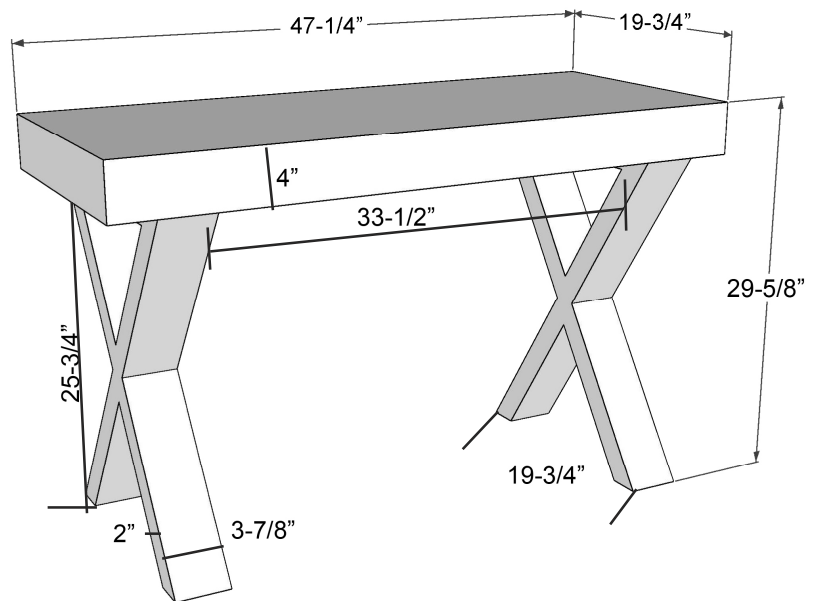
- ▶ Cross stand
- ▶ Natural Teak wood construction
- ▶ Wood will weather if left unsealed outdoors
- ▶ Monocoat oil can be used to refresh finish when necessary
- ▶ Levelers included
- ▶ Bolts are included

Colors:

TE Teak

Care and Maintenance:

Teak is naturally resistant to water making it useful both indoors and out. The finish can be left natural to weather or sealed to preserve the original finish. The light texture of teak wood helps to prevent slipping. We recommend Teak Guard Super Cleaner to maintain and protect your teak products.



Dimensions of fixture are nominal and may vary. Dimensions and specifications subject to change without notice.