

**68" LYNDSEY  
CAST IRON  
SLIPPER TUB**

Cat. No.  
CTS7H68B



L: 66-1/2"  
W: 30-3/4"  
H: 23-1/4" - 28-3/4" (from floor to top of tub)

Water depth: 17-3/8" to top of tub  
Water depth: 14-1/8" to overflow

**Features:**

- ▶ Inside finish is white porcelain enamel
- ▶ 7" centers in tub deck
- ▶ Pre-drilled overflow hole
- ▶ Integrated base
- ▶ Tub exterior is white (epoxy)
- ▶ Tub is thoroughly inspected before shipment



**Tub Colors:**  
WH White

**Custom Colors Available** (inside of tub is always white enamel):  
Painted bathtubs are considered "special order" and are not returnable  
\$160 Bisque or Black \$250 Designer Color

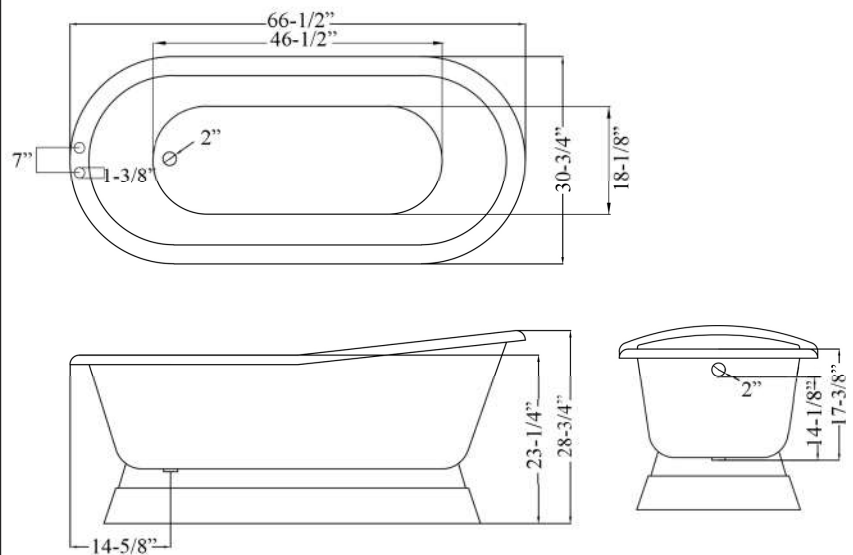
**The following is recommended for CTS7H68B tubs:**

- Rim-Mounted Faucet: **#4601 or 4201**
- Straight Bath Supplies: **#5577**
- Leg Tub Drain: **#5599E**
- Complete shower unit: **#4063**

**Note**

To prevent the accumulation of standing water under your tub base we recommend using a bead of silicone between the base and the floor.

Gallon Capacity: 35  
Shipping Weight: 520 lbs.  
Empty Weight: 381 lbs.  
Filled Weight: 673 lbs.



Dimensions of fixture are nominal and may vary within the range of tolerances established by ANSI Standard A112.19.2. Dimensions and specifications subject to change without notice.