

**FOSTER
61" ACRYLIC
SLIPPER TUB**

Cat. No.
ATS7H61LP



L: 61"
W: 27-1/2"
H: 31-1/2"

Water depth: 17-1/8" to top of tub
Water depth: 13" to OF

**The following is recommended for
ATS7H tubs:**

- Rim-mounted faucets: part #4601 or #4201
- Straight bath supplies: part #5577
- Leg tub drain: part #5599

Gallon Capacity :	39
Shipping Weight:	137 lbs.
Empty Weight:	77 lbs.
Filled Weight:	526 lbs.

Features:

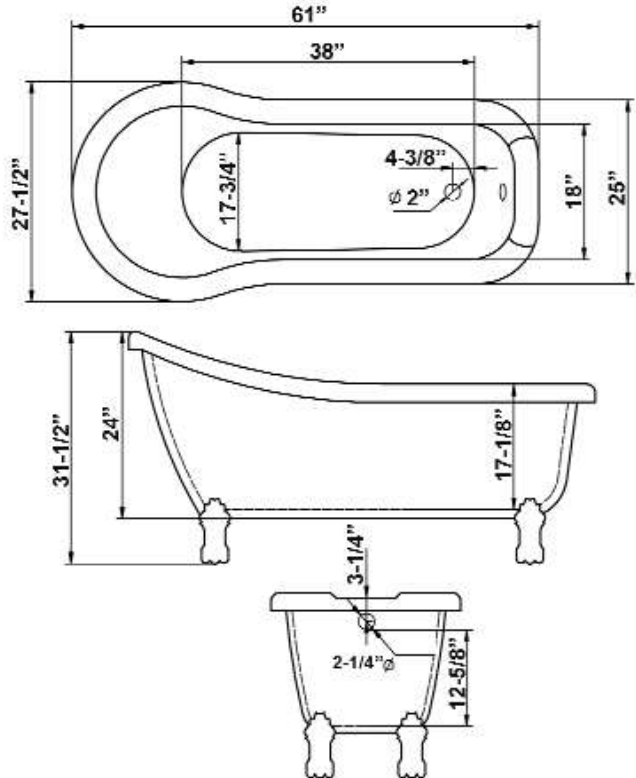
- ▶ Acrylic construction for lighter weight
- ▶ 7" centers in tub deck
- ▶ Pre-drilled overflow hole
- ▶ IAPMO certified
- ▶ Aluminum lion paw feet available in 4 finishes
- ▶ Tub is thoroughly inspected before shipment

Feet Finishes:

- BN** Brushed Nickel
- PB** Polished Brass
- CP** Polished Chrome
- ORB** Oil Rubbed Bronze



Custom Colors Available (inside of tub is always white enamel):
Painted bathtubs are considered "special order" and are not returnable
\$160 Bisque or Black \$250 Designer Color



Dimensions of fixture are nominal and specifications subject to change without notice.