

**59" AMELIA
ACRYLIC ROLL
TOP TUB**

Cat. No.
ATRN58



L: 59"
W: 30-1/2"
H: 24"

Water depth: 17-3/8" to top of tub
Water depth: 13-1/8" to overflow

**The following is recommended for
ATRN tubs:**

- Faucets: part #4602, #4604 or 7082
- Rigid, freestanding supplies: part #4502
- Leg tub drain: part #5599

Gallon Capacity : 42
Shipping Weight: 144 lbs.
Empty Weight: 84 lbs.
Filled Weight: 501 lbs.

Features:

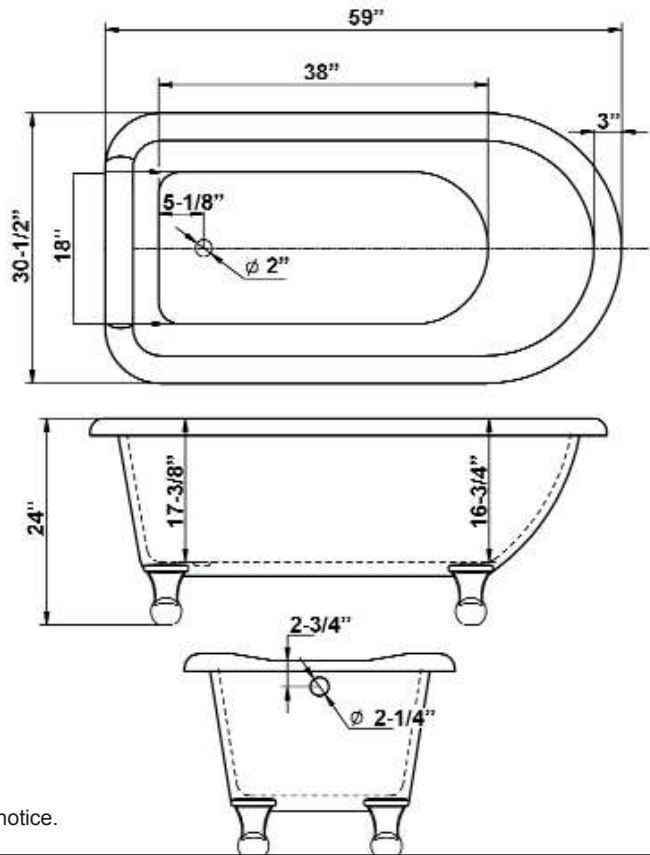
- ▶ Acrylic construction for lighter weight
- ▶ Sloped backrest for comfort
- ▶ No faucet holes
- ▶ Pre-drilled overflow hole
- ▶ Cast aluminum ball and claw feet in 4 finishes
- ▶ Tub is thoroughly inspected before shipment
- ▶ IAPMO Certified

Feet Finishes:

- BN** Brushed Nickel
- PB** Polished Brass
- CP** Polished Chrome
- ORB** Oil Rubbed Bronze



Custom Colors Available (inside of tub is always white enamel):
Painted bathtubs are considered "special order" and are not returnable
\$160 Bisque or Black \$250 Designer Color



Dimensions of fixture are nominal and specifications subject to change without notice.