

**BAROQUE
70" ACRYLIC
ROLL TOP TUB**

Cat. No.
ATR7H70LP



L: 69-1/2"
W: 31-1/2"
H: 25-1/4"

Water depth: 17" to top of tub
Water depth: 12-1/2" to overflow

The following is recommended for ATR7H tubs:

- Rim-mounted faucets: part #4601 or 4201
- Straight bath supplies: part #5577
- Leg tub drain: part #5599LT or 5599TS

Gallon Capacity: 35
Shipping Weight: 162 lbs.
Empty Weight: 102 lbs.
Filled Weight: 443 lbs.



Overflow can be drilled.
With overflow drilled this tub requires drain 5599E.
Tubs that have been drilled with overflow are "special order" and are not returnable.

Features:

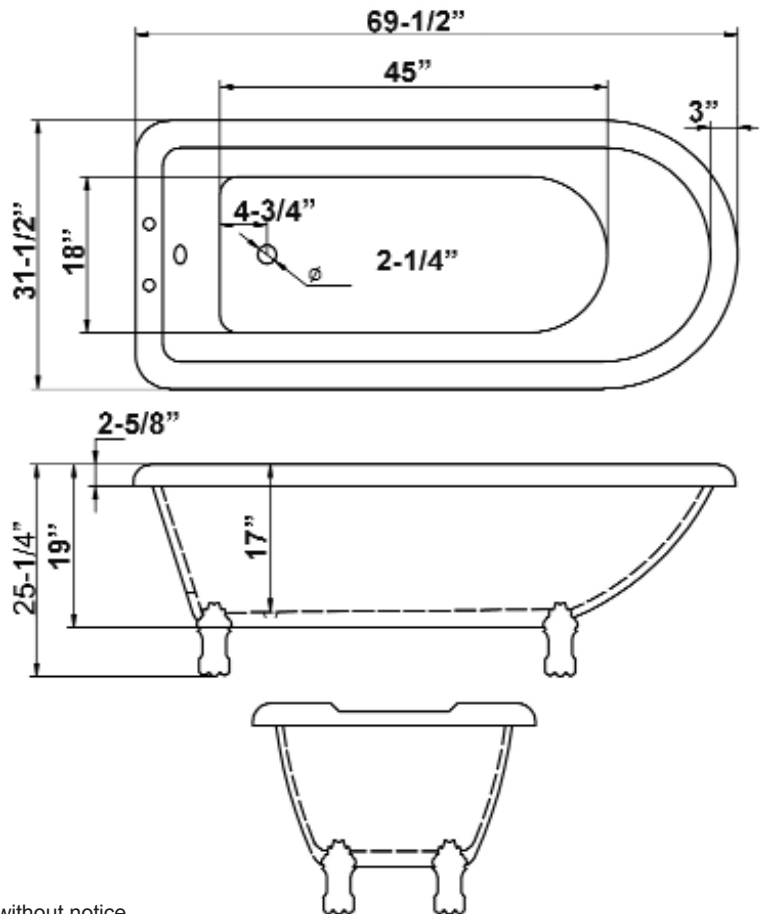
- ▶ Acrylic construction for lighter weight
- ▶ 7" centers in tub deck
- ▶ No overflow
- ▶ Cast Aluminum lion paw feet available in 4 finishes
- ▶ Tub is thoroughly inspected before shipment
- ▶ IAPMO Certified



Feet Finishes:

- BN** Brushed Nickel
- CP** Polished Chrome
- PB** Polished Brass
- ORB** Oil Rubbed Bronze

Custom Colors Available (inside of tub is always white enamel):
Painted bathtubs are considered "special order" and are not returnable
\$160 Bisque or Black \$250 Designer Color



Dimensions of fixture are nominal and specifications subject to change without notice.