

**63" MONTERREY  
ACRYLIC DOUBLE  
SLIPPER TUB**

Cat. No.  
ATDSNTD63RB



L: 63"  
W: 28"  
H: 28"

Water depth: 16-5/8" to top of tub  
Plinth: 20" Wide

**Features:**

- ▶ Interior and exterior walls acrylic sheets
- ▶ Space between walls partially filled with fiberglass & resin
- ▶ No faucet holes
- ▶ Tap deck
- ▶ No overflow
- ▶ IAPMO Certified
- ▶ Built-in adjusters included
- ▶ Tub is thoroughly inspected before shipment



**The following is recommended for ATDSNTD tubs:**

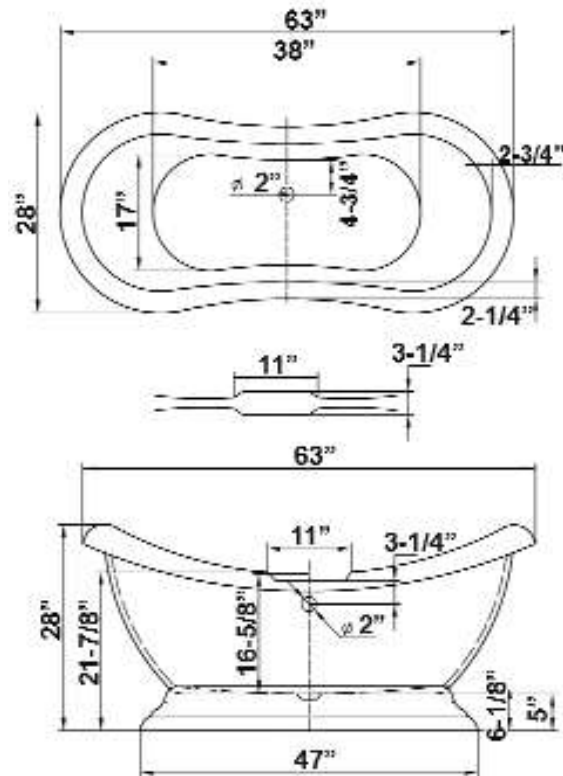
- Faucets: #4602, #4063 or #4604
- Freestanding Bath Supplies: #4502
- Freestanding Faucets: #7920, 7924, or 7918 (Do Not Need Bath Supplies)
- Leg tub drain: part #5599LT or #5599TS

**Custom Colors Available** (inside of tub is always white enamel):  
Painted bathtubs are considered "special order" and are not returnable  
\$160 Bisque or Black \$250 Designer Color



Overflow can be drilled.  
With overflow drilled this tub requires drain **5599**.  
**Tubs that have been drilled with overflow are "special order" and are not returnable.**

Gallon Capacity: 43  
Shipping Weight: 140 lbs.  
Empty Weight: 80 lbs.  
Filled Weigh: 459 lbs.



Dimensions of fixture are nominal and specifications subject to change without notice.