

**MERRICK
69" ACRYLIC DOUBLE
SLIPPER TUB**

Cat. No.
ATDSN69I



L: 69"
W: 28"
H: 31-1/4"

Water depth: 17-3/8" to top of tub
Water depth: 13-7/8" to OF

The following is recommended for ATDSN69I tubs:

- Faucets: part #4602, 4022 or 4025
- Rigid, freestanding supplies: part #4502
- Leg tub drain: part #5599LT



Overflow can be drilled.
With overflow drilled this tub requires drain 5599PD.
Tubs that have been drilled with overflow are "special order" and are not returnable.

Gallon Capacity without OF:	46
Gallon Capacity with OF:	36
Shipping Weight:	144 lbs.
Empty Weight:	84 lbs.
Filled Weight without OF:	584 lbs.
Filled Weight with OF:	501 lbs.

Features:

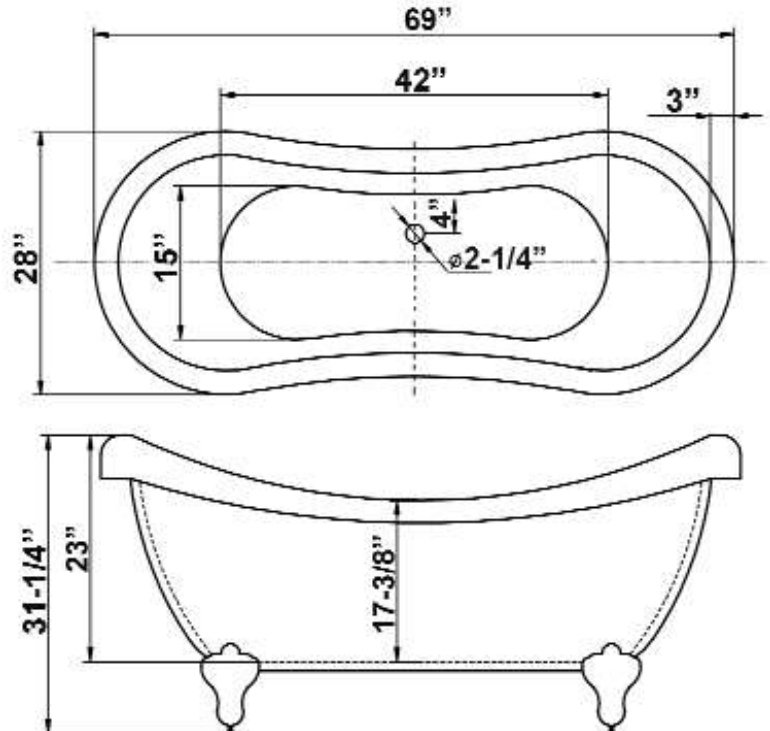
- ▶ Interior and exterior walls acrylic sheets
- ▶ Space between walls partially filled with fiberglass & resin
- ▶ No faucet holes
- ▶ No overflow
- ▶ Aluminum imperial feet available in 4 finishes
- ▶ Tub is thoroughly inspected before shipment
- ▶ IAPMO Certified

Feet Finishes:

- BN Brushed Nickel
- PB Polished Bras
- CP Polished Chrome
- ORB Oill Rubbed Bronze



Custom Colors Available (inside of tub is always white enamel):
Painted bathtubs are considered "special order" and are not returnable
\$160 Bisque or Black \$250 Designer Color



Dimensions of fixture are nominal and specifications subject to change without notice.