

**69" MINERVA
ACRYLIC DOUBLE
SLIPPER TUB**

Cat. No.
ATDSN69



L: 69"
W: 28"
H: 31"

Water depth: 17-3/8" to top of tub
Water depth: 13" to OF

The following is recommended for ATDSN tubs:

- Faucets: part #4602, 4022 or 4015
- Freestanding Bath Supplies: #4502
- Leg tub drain: part #5599TS



Overflow can be drilled.
With overflow drilled this tub requires drain 5599PD.
Tubs that have been drilled with overflow are "special order" and are not returnable.

Gallon Capacity without OF: 46
Gallon Capacity with OF: 36
Shipping Weight: 144 lbs.
Empty Weight: 84 lbs.
Filled Weight without OF: 584 lbs.
Filled Weight with OF: 501 lbs.

Features:

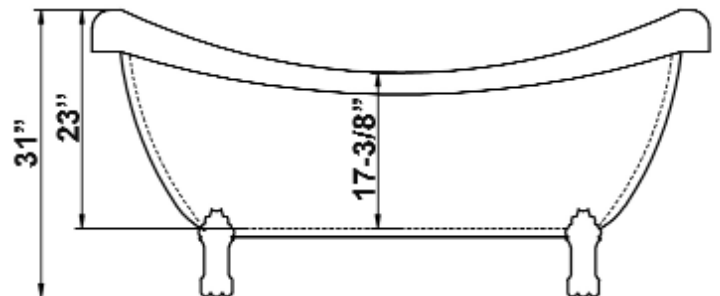
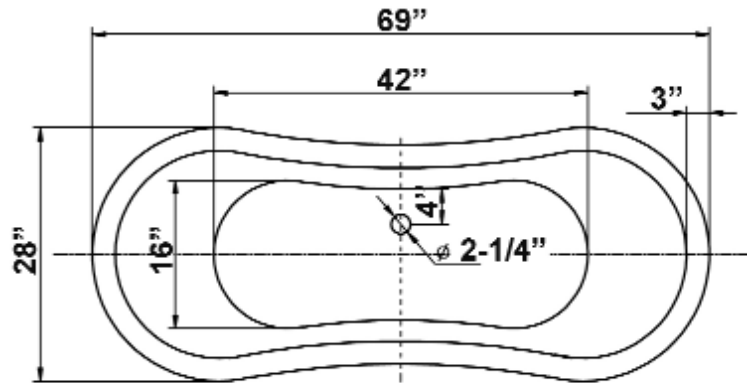
- ▶ Interior and exterior walls acrylic sheets
- ▶ Space between walls partially filled with fiberglass & resin
- ▶ No faucet holes
- ▶ No overflow
- ▶ Aluminum lion paw feet available in 4 finishes
- ▶ Tub is thoroughly inspected before shipment
- ▶ IAPMO Certified



Feet Finishes:

- BN** Brushed Nickel
- ORB** Oil Rubbed Bronze
- CP** Polished Chrome
- PB** Polished Brass

Custom Colors Available (inside of tub is always white enamel):
Painted bathtubs are considered "special order" and are not returnable
\$160 Bisque or Black \$250 Designer Color



Dimensions of fixture are nominal and specifications subject to change without notice.