

**MENA
68" ACRYLIC
DOUBLE SLIPPER TUB**

Cat. No.
ATDSN68I



L: 68-1/8"
W: 29-5/8"
H: 32"

Water depth: 17" to top of tub

The following is recommended for ATDSN68I tubs:

- Faucets: part #4602, 4022 or 4025
- Rigid, freestanding supplies: part #4502
- Freestanding filler: part #7901, 7918 or 7934
(Does not need bath supplies)
- Leg tub drain: part #5599LT or 5599TS



Overflow can be drilled. With overflow drilled this tub requires drain **5599PD**. **Tubs that have been drilled with overflow are "special order" and are not returnable.**

Gallon Capacity: 58
Shipping Weight: 148 lbs.
Empty Weight: 88 lbs.
Filled Weight: 577 lbs.

Features:

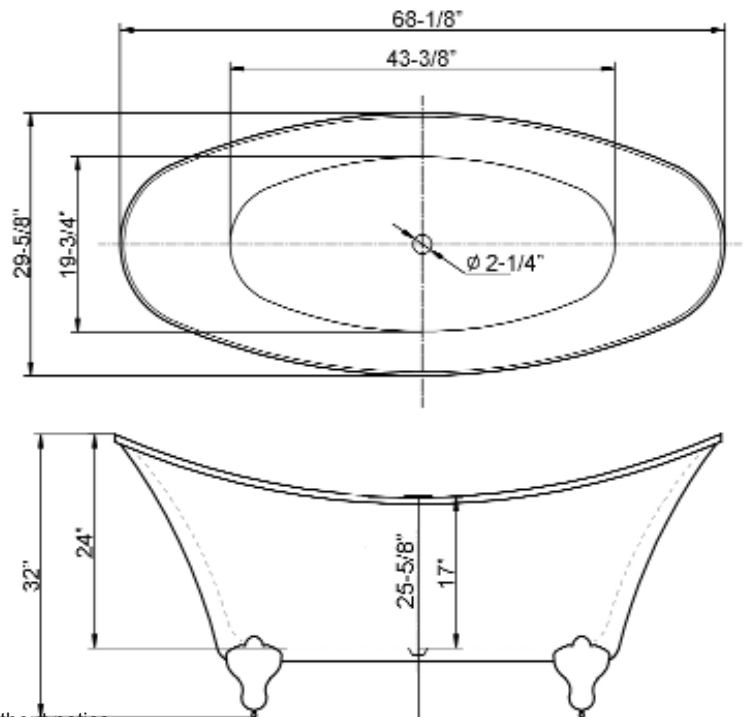
- ▶ Interior and exterior walls acrylic sheets
- ▶ No faucet holes
- ▶ No overflow
- ▶ Solid Brass Imperial feet available in 4 finishes
- ▶ Tubs shipped with feet attached and leveled
- ▶ Tub is thoroughly inspected before shipment
- ▶ IAPMO Certified



Feet Finishes:

- BN** Brushed Nickel
- CP** Polished Chrome
- PB** Polished Brass
- ORB** Oil Rubbed Bronze

Custom Colors Available (inside of tub is always white enamel):
Painted bathtubs are considered "special order" and are not returnable
\$160 Bisque or Black \$250 Designer Color



Dimensions of fixture are nominal and specifications subject to change without notice.