

**MONIQUE
69" ACRYLIC DOUBLE
SLIPPER TUB**

Cat. No.
ATDS7H69R



L: 69"
W: 28-1/2"
H: 30-3/4"

Water depth: 17-3/4" to top of tub
Water depth: 13-1/4" to overflow

The following is recommended for ATDS7H69R tubs:

- Faucets: part #4601
- Straight bath supplies: part #5577
- Leg tub drain: part #5599LT or 5599TS

Gallon Capacity: 53
Shipping Weight: 144 lbs.
Empty Weight: 84 lbs.
Filled Weight: 543 lbs.



Overflow can be drilled.
With overflow drilled this tub requires drain 5599PD.
Tubs that have been drilled with overflow are "special order" and are not returnable.

Features:

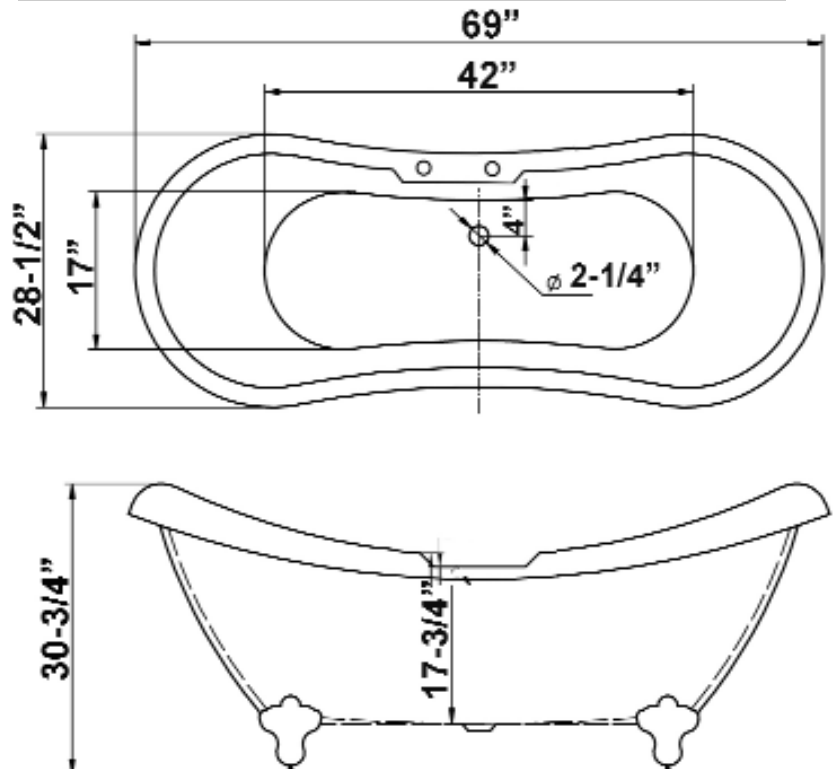
- ▶ Interior and exterior walls acrylic sheets
- ▶ Space between walls partially filled with fiberglass & resin
- ▶ For use with deck mount faucet
- ▶ 7" centers in tub deck
- ▶ No overflow
- ▶ Cast Iron imperial feet available in 4 finishes
- ▶ Tub is thoroughly inspected before shipment
- ▶ IAPMO Certified



Feet Finishes:

- BN** Brushed Nickel
- CP** Polished Chrome
- PB** Polished Brass
- ORB** Oil Rubbed Bronze

Custom Colors Available (inside of tub is always white enamel):
Painted bathtubs are considered "special order" and are not returnable
\$160 Bisque or Black \$250 Designer Color



Dimensions of fixture are nominal and specifications subject to change without notice.